

Hydroflex

USER MANUAL



PurMop®

2.0

ERGO-S

Mop Dosing System

Stainless Steel

2.0 ERGO-S 200 / 2.0 ERGO-S 205-F
2.0 ERGO-S 210 / 2.0 ERGO-S 230
ERGO-S 300 / 2.0 ERGO-S 320

hydroflex-group.com

PurMop®
2.0
ERGO-S

Mop Dosing System

Stainless Steel

CONTENT

1. SAFETY INFORMATION	1
2. MODEL OVERVIEW	2
3. EXPLOSION DRAWINGS	3
4. ASSEMBLING INSTRUCTIONS	4
5. OPERATING INSTRUCTIONS	5
6. DOSING PLATES OVERVIEW	6
7. CLEANING & CARE INSTRUCTIONS	7
8. AUTOCLAVING INSTRUCTIONS	8
9. DISPOSAL/WARRANTY/CONTACT	9

SAFETY INFORMATION

Mop Dosing System

Stainless Steel

Congratulations and thank you very much for choosing a premium product of Hydroflex. With our cleanroom cleaning solutions, we offer you quality and safety from the very first minute. To ensure that this remains so in the future, and you can continue to produce safely, we compiled the most important instructions for the use of our 2.0 ERGO-S cleanroom cleaning trolleys summarized below.

1

EXPLANATION OF SYMBOLS

This manual is structured into functional and task-oriented chapters. Warnings and notes are separated from the text and specially marked by appropriate symbols. However, the symbol does not replace the text of the safety instructions. Therefore, always read the entire text of safety instructions carefully. The warnings and

notes in this user manual are structured and classified in the following danger/hazard levels:



WARNING!

There is a **risk of personal injury or damage to property** if the instructions are not followed exactly or the circumstances described are not observed.



NOTE

Reference is made to special conditions or additional important information on the respective topic is pointed out.



INFO

Contains additional information about recommendations that facilitate work or recommendation on the respective topic.

PurMop® 2.0 ERGO-S

SAFETY INFORMATION

Mop Dosing System

Stainless Steel

The operational safety of the mop dosing system lies in the hands of the person using the device. Before first use or maintenance of the device, read the operating instructions carefully. The operating personnel must be informed about possible accident risks and instructed in appropriate safety precautions. Always keep the instructions near the product in a safe, dry, and sun-protected place. It should always be within reach if needed. The safety officer of your institution is obligated to inform users about the dangers associated with the use of the mop dosing system. Users must be adequately trained to protect their own health and that of others.

Hydroflex is not liable for accidents or damages that occur as a result of use by insufficiently trained personnel, improper use, or failure to follow the safety instruc-

tions and operating instructions listed in the manual. Hydroflex cannot predict all circumstances that may lead to a potential hazard situation, so the instructions provided in the manual and on the product are not exhaustive.

If equipment or work techniques not explicitly recommended by Hydroflex are used, the owner must ensure that no danger is posed to themselves or others. Hydroflex disclaims any liability for the use of non-original spare parts.

Please also refer to our information on "9 Disposal/Warranty/Contact" If you have any questions or suggestions, please contact us: info@hydroflex-group.com

1

GENERAL SAFETY NOTES

The chapter on safety instructions describes the risks associated with the product in terms of product liability. The safety instructions are intended to warn about hazards and to help prevent damage to persons, the environment and property. Make sure that you have read and understood all the safety instructions listed in this chapter:

- Safe operation of the product depends on its intended and prudent use. Negligent handling of the product can become a danger to the operator or third parties, as well as a danger to the product itself and other material assets of the operator.
- The product may only be used in a technically perfect condition, in a safety-conscious and hazard-con-

scious manner, in accordance with its intended use and in compliance with the operating instructions.

- Modifications or conversions are only permitted after consultation with and written approval from Hydroflex.
- Assembly should be carried out carefully to avoid bruising or damage to protective clothing.

→

PurMop® 2.0 ERGO-S

SAFETY INFORMATION

Mop Dosing System

Stainless Steel

- Do not exceed the load capacity of the frame and castors: Do not lean on, do not ride on, do not transport objects other than those listed in this manual to avoid damage to the trolley and frame. Use only for its intended purpose.
- Transport only over level ground. Driving on very uneven floors or stairs can damage the trolley. There is a risk of falling when driving on/using the trolley on stairs.
- When parking and loading the trolley, secure it against rolling away by locking the castors.
- Before transport, release both locking devices on the castors. Driving with locked castors can damage the running gear.
- Do not reach into the castors when the trolley is being moved. Risk of injury from crushing is possible.
- The castors are grease-free on delivery and must not be greased. Keep the castors grease-free, otherwise grease may leak out during autoclaving/disinfecting.
- When approaching walls and driving around obstacles, always watch out for persons and sensitive objects in the way. There is a risk of injury and damage.
- When transporting, hold the handle with both hands, never let go of the unit while driving.
- Only use the ERGO system as a complete unit. Do not combine with accessories from other manufacturers; only use original Hydroflex components. Replace defective components only with original parts.
- The product is intended for manual transport only. Mechanically assisted transport is not permitted.
- Please also observe the "7 Cleaning & Care Instructions".

1

INTENDED USE

The ERGO system is a cleanroom cleaning trolley with an integrated mop dosing system. It is made for cleanroom cleaning and disinfecting as well as transporting of necessary cleaning materials relevant for cleaning from mop pick-up to mop discard .

Cleaning materials may only be transported in buckets, containers and holders provided for this purpose. Depending on model and series, the trolley can be equipped with additional containers and buckets. Using the mop dosing unit ensures a defined quantity of liquid (cleaning or disinfectant detergent) can be applied to each mop.

Under consideration of the user manual, ERGO allows a touchless and ergonomic handling. In addition, observe the labor/cleanroom law regulations in your company. Intended use includes the specified procedures, compliance with the stated specifications and the use of the original accessories supplied or additionally available. Any other use of the product is considered improper use.



PurMop® 2.0 ERGO-S

MODEL OVERVIEW

Mopp Dosing System

Stainless Steel



2.0 ERGO-S 200
COMPACT CLEANROOM
CLEANING SYSTEM WITH
DOSING UNIT
Item no. 2123028



2.0 ERGO-S 205-F
FOLDABLE CLEANROOM
CLEANING SYSTEM WITH
DOSING UNIT
Item no. 2123030



2.0 ERGO-S 210
CLEANROOM CLEANING SYSTEM
WITH DOSING UNIT
Item no. 2123021



2.0 ERGO-S 230
CLEANROOM CLEANING SYSTEM
WITH DOSING UNIT
Item no. 2123022



2.0 ERGO-S 300
CLEANROOM CLEANING SYSTEM
WITH DOSING UNIT
Item no. 2123023



2.0 ERGO-S 320
CLEANROOM CLEANING SYSTEM
WITH DOSING UNIT
Item no. 2123025

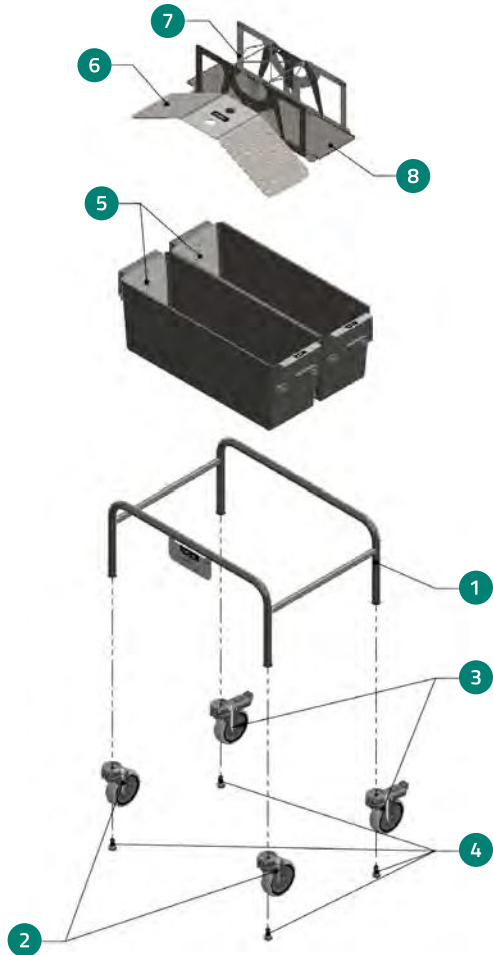
This information is supplied without liability. Subject to corrections and deviations. – © Hydroflex Group GmbH



PurMop® 2.0 ERGO-S

EXPLOSION DRAWING

2.0 ERGO-S 200



- Dimensions (LxHxW), assembled: 52 x 61 x 38 cm
- Weight: 16 kg



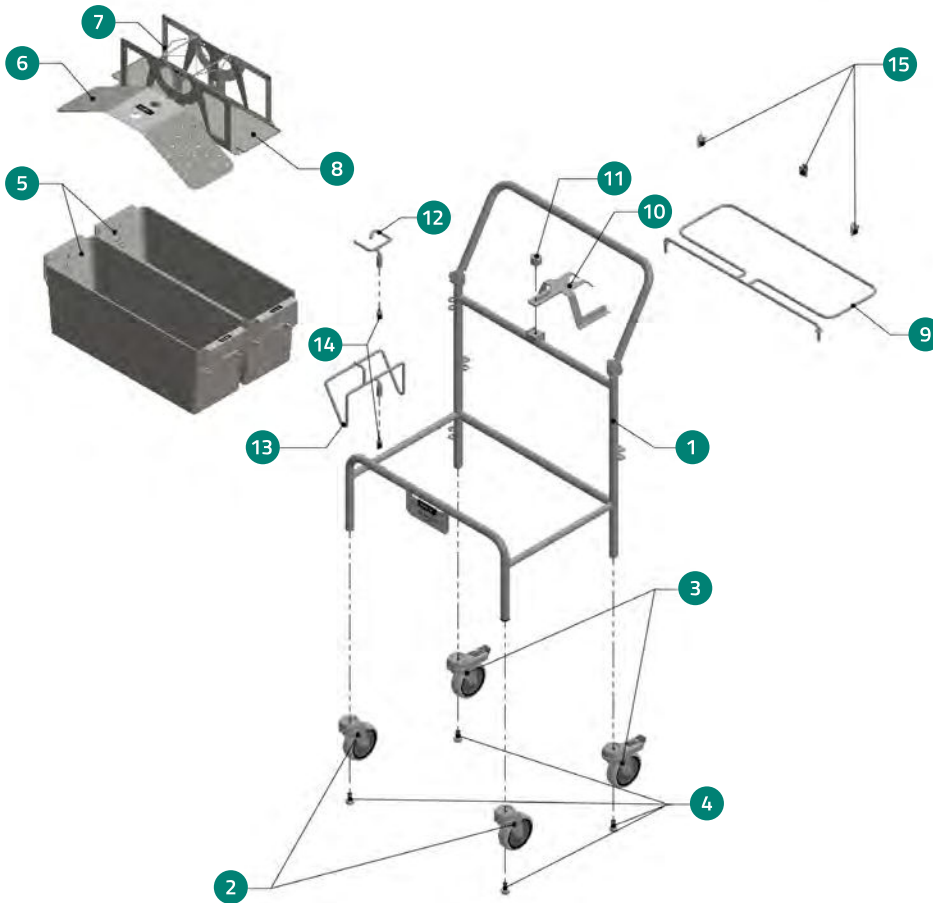
3

POS-NO.	COMPONENT	ITEM NO.	QUANTITY
1	Stainless steel frame 2.0 ERGO S (base frame)	2129335	1
2	ELM100 (castor)	2129242	2
3	ELM100-F (castor with brake)	2129243	2
4	SKS castor housing (hex bolt)	2129327	4
5	EWM18-SH (stainless steel bucket)	2129022	2
6	MAW18 (mop carrier)	2129224	1
7	FBE50 (mop wetting device)	2129206	1
8	WPE-2 (optional: WPE-1, WPE-3) (dosage plate)	2129264	1

This information is supplied without liability. Subject to corrections and deviations. - © Hydroflex Group GmbH

PurMop® 2.0 ERGO-S EXPLOSION DRAWING

2.0 ERGO-S 205-F



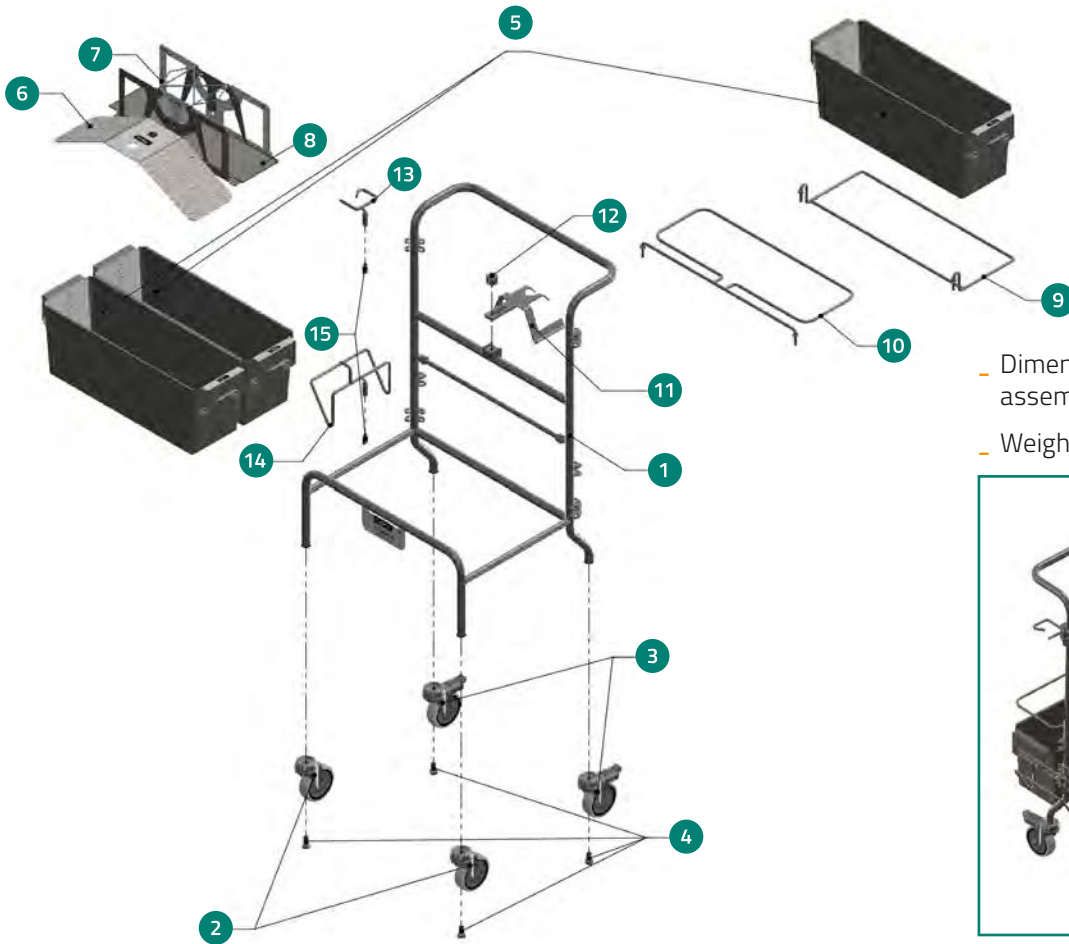
- Dimensions (LxWxH), assembled: 65 x 70 x 94 cm
Folded height: 72 cm
- Weight: 20 kg



POS-NO.	COMPONENT	ITEM NO.	QUANTITY
1	Stainless steel frame 2.0 ERGO M-compact (base frame)	2129345	1
2	ELM100 (castor)	2129242	2
3	ELM100-F (castor with brake)	2129243	2
4	SKS castor housing (hex bolt)	2129327	4
5	EWM18-SH (stainless steel bucket)	2129022	2
6	MAW18 (mop carrier)	2129224	1
7	FBE50 (mop wetting device)	2129206	1
8	WPE-2 (optional: WPE-1, WPE-3) (dosage plate)	2129264	1
9	MBHE40-2.0 (waste bag holder)	2123101	1
10	MAM40-2.0 (discarding mechanism)	2129118	1
11	Knurled screw 2.0 ERGO (lock screw)	2129316	1
12	Handle holder 2.0 ERGO (mop handle holder)	2129119	1
13	Frame holder 2.0 ERGO (mop frame holder)	2129120	1
14	Bolt screw for 2.0 ERGO (locking screw)	2129333	2
15	Stainless steel clip	2129024	3

EXPLOSION DRAWING

2.0 ERGO-S 210



- Dimensions (LxWxH), assembled: 65 x 70 x 97 cm
- Weight: 25 kg



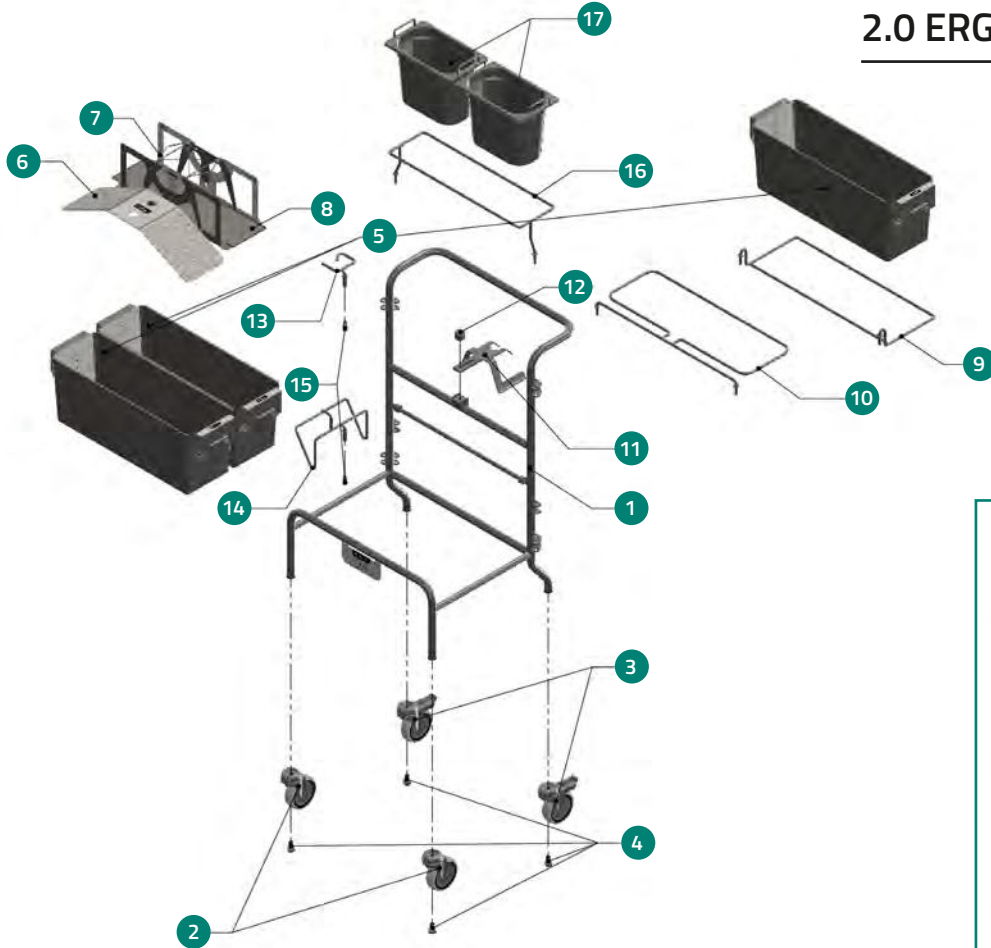
POS-NO.	COMPONENT	ITEM NO.	QUANTITY
1	Stainless steel frame 2.0 ERGO M (base frame)	2129315	1
2	ELM100 (castor)	2129242	2
3	ELM100-F (castor with brake)	2129243	2
4	SKS castor housing (hex bolt)	2129327	4
5	EWM18-SH (stainless steel bucket)	2129022	3
6	MAW18 (mop carrier)	2129224	1
7	FBE50 (mop wetting device)	2129206	1
8	WPE-2 (optional: WPE-1, WPE-3) (dosage plate)	2129264	1
9	WHEW18-2.0 (bucket holder)	2129115	1
10	MBHE40-2.0 (waste bag holder)	2123101	1
11	MAM40-2.0 (discarding mechanism)	2129118	1
12	Knurled screw 2.0 ERGO (lock screw)	2129316	1
13	Handle holder 2.0 ERGO (mop handle holder)	2129119	1
14	Frame holder 2.0 ERGO (mop frame holder)	2129120	1
15	Bolt screw for 2.0 ERGO (locking screw)	2129333	2



PurMop® 2.0 ERGO-S

EXPLOSION DRAWING

2.0 ERGO-S 230



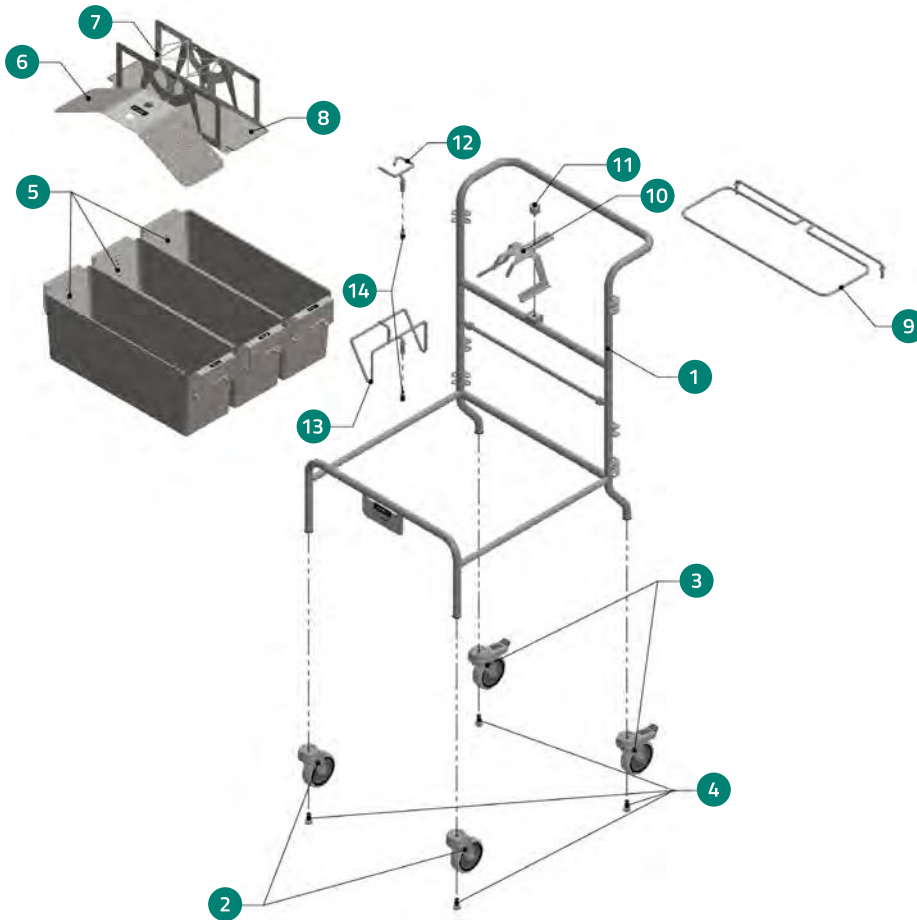
- Dimensions (LxWxH), assembled: 65 x 70 x 102 cm
- Weight: 27 kg



POS-NO.	COMPONENT	ITEM NO.	QUANTITY
1	Stainless steel frame 2.0 ERGO M (base frame)	2129315	1
2	ELM100 (castor)	2129242	2
3	ELM100-F (castor with brake)	2129243	2
4	SKS castor housing (hex bolt)	2129327	4
5	EWM18-SH (stainless steel bucket)	2129022	3
6	MAW18 (mop carrier)	2129224	1
7	FBE50 (mop wetting device)	2129206	1
8	WPE-2 (optional: WPE-1, WPE-3) (dosage plate)	2129264	1
9	WHEW18-2.0 (bucket holder)	2129115	1
10	MBHE40-2.0 (waste bag holder)	2123101	1
11	MAM40-2.0 (discarding mechanism)	2129118	1
12	Knurled screw 2.0 ERGO (lock screw)	2129316	1
13	Handle holder 2.0 ERGO (mop handle holder)	2129119	1
14	Frame holder 2.0 ERGO (mop frame holder)	2129120	1
15	Bolt screw for 2.0 ERGO (locking screw)	2129333	1
16	WHEE-2.0 (storage bucket holder)	2129117	1
17	EB 14200 (stainless steel storage bucket)	2129003	2

PurMop® 2.0 ERGO-S EXPLOSION DRAWING

2.0 ERGO-S 300



- Dimensions (LxWxH), assembled: 78 x 70 x 97 cm
- Weight: 25 kg

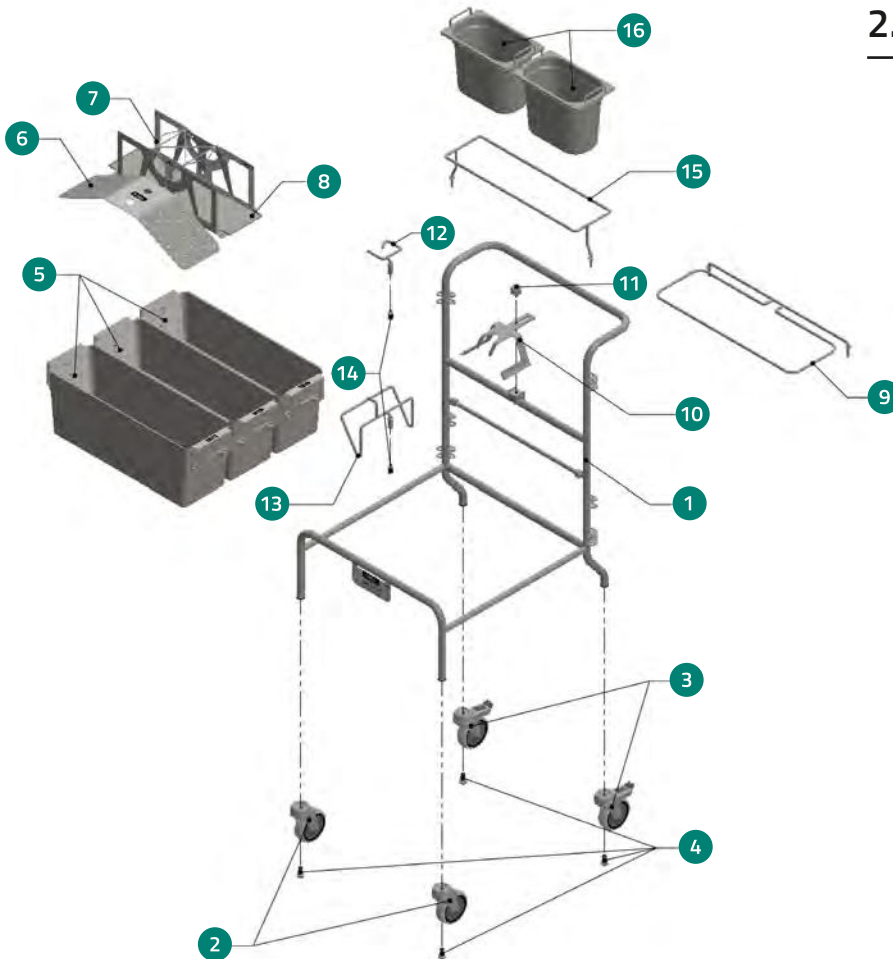


POS-NO.	COMPONENT	ITEM NO.	QUANTITY
1	Stainless steel frame 2.0 ERGO L (base frame)	2129314	1
2	ELM100 (castor)	2129242	2
3	ELM100-F (castor with brake)	2129243	2
4	SKS castor housing (hex bolt)	2129327	4
5	EWM18-SH (stainless steel bucket)	2129022	3
6	MAW18 (mop carrier)	2129224	1
7	FBE50 (mop wetting device)	2129206	1
8	WPE-2 (optional: WPE-1, WPE-3) (dosage plate)	2129264	1
9	MBHE40-2.0 (waste bag holder)	2123101	1
10	MAM40-2.0 (discarding mechanism)	2129118	1
11	Knurled screw 2.0 ERGO (lock screw)	2129316	1
12	Handle holder 2.0 ERGO (mop handle holder)	2129119	1
13	Frame holder 2.0 ERGO (mop frame holder)	2129120	1
14	Bolt screw for 2.0 ERGO (locking screw)	2129333	2

PurMop® 2.0 ERGO-S

EXPLOSION DRAWING

2.0 ERGO-S 320



- Dimensions (LxWxH), assembled: 78 x 70 x 102 cm
- Weight: 27 kg



POS-NO.	COMPONENT	ITEM NO.	QUANTITY
1	Stainless steel frame 2.0 ERGO L (base frame)	2129314	1
2	ELM100 (castor)	2129242	2
3	ELM100-F (castor with brake)	2129243	2
4	SKS castor housing (hex bolt)	2129327	4
5	EWM18-SH (stainless steel bucket)	2129022	3
6	MAW18 (mop carrier)	2129224	1
7	FBE50 (mop wetting device)	2129206	1
8	WPE-2 (optional: WPE-1, WPE-3) (dosage plate)	2129264	1
9	MBHE40-2.0 (waste bag holder)	2123101	1
10	MAM40-2.0 (discarding mechanism)	2129118	1
11	Knurled screw 2.0 ERGO (lock screw)	2129316	1
12	Handle holder 2.0 ERGO (mop handle holder)	2129119	1
13	Frame holder 2.0 ERGO (mop frame holder)	2129120	1
14	Bolt screw for 2.0 ERGO (locking screw)	2129333	2
15	WHEE-2.0 (storage bucket holder)	2129117	1
16	EB 14200 (stainless steel storage bucket)	2129003	2

PurMop® 2.0 ERGO-S

ASSEMBLING INSTRUCTIONS

Mop Dosing System

Stainless Steel



PurMop® 2.0 ERGO-S 230

TOUCHLESS MOPP DOSING SYSTEM

The PurMop® 2.0 ERGO-S series is the first completely touchless cleanroom cleaning system. The combination of user-friendly accessories and a selection of our PurMop® disposable or reusable mops results in a system with outstanding ergonomics.

2.0 ERGO-S makes cleanroom cleaning more safe and efficient:

- no wringing, almost no manual effort
- no touching of buckets, no need to bend down
- no presaturation necessary, thus no waiting or holding time
- highly reproducible, easy to learn

SYSTEM SET UP

- 1 Stainless steel bucket 1**
(for fresh mops)
 - 2 Stainless steel bucket 2**
(with mop carrier)
 - 3 Stainless steel bucket 3**
(for used mops)
 - 4 Mop discarding mechanism**
(can be attached at the rear or in front)
 - 5 Bag holder**
(for used mops, detachable)
- Optional accessories:**
- Matching cleanroom waste bags
 - MB18-RS (sterile) Item no. 2130001
 - MB18-R Item no. 2130002
- 6 Two additional stainless steel buckets**
(detachable, model -S 230, -S 320 and -S 330)
 - 7 Stainless steel frame**
(electropolished)
 - 8 Castors**
(grease and abrasion free, rear with brake)
 - 9 Device for handle holder**
(handle holder, mop frame holder)

PurMop® 2.0 ERGO-S

ASSEMBLING INSTRUCTIONS

Mop Dosing System

Stainless Steel

1. PREPARATION



At first, check if the delivery and the containing parts show any damage. **In case of damage, please contact us immediately.**

Then check the scope of the delivery by using the enclosed "3 Explosion Drawings".



We recommend locking the castors of the trolley frame during the assembling.



INFO: Chapter for correct handling and use of the mop dosing system:

"5 Operating Instructions"

"7 Cleaning & Care Instructions"



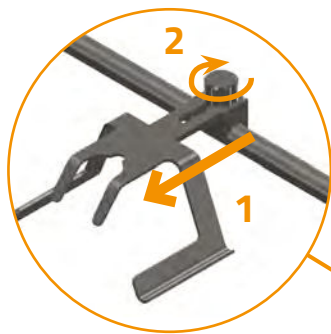
PurMop® 2.0 ERGO-S

ASSEMBLING INSTRUCTIONS

2. ATTACHING ALL HOLDERS

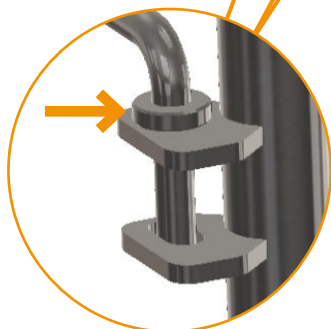
Mop Dosing System

Stainless Steel



Fasten the mop discharge mechanism by means of the knurled screw – before tightening the screw, extend the discard mechanism to the frontmost position.

For handle holder (A) and mop frame holder support (B), guide the square bar into the cutout provided in the bearing until it locks into place.



Insert the three wire holders into the bearings provided (two each). Make sure that the wire is guided through both plates of the mounting until the stop plate rests on the upper plate.



PurMop® 2.0 ERGO-S

ASSEMBLING INSTRUCTIONS

3. INSERT OF THE REMAINING COMPONENTS

Mop Dosing System

Stainless Steel

Place the stainless steel buckets and the additional buckets into the holders provided.

At first, insert the mop dosing plate into the mop dosing unit. For this, tilt the dosing plate by 45° and insert it longitudinally below the mechanics.



Place the mop dosing unit into the second bucket.

Insert the mop carrier into the front stainless steel bucket.



WARNING: After assembly, do not hold mop dosing unit overhead or at an angle. Otherwise, the plate can slip out and cause injury.

PurMop® 2.0 ERGO-S

OPERATING INSTRUCTIONS

Mop Dosing System

Stainless Steel

Assemble the cleaning trolley according to the Hydroflex "4 Assembling Instructions".



NOTE: Before usage, the mop dosing system must be prepared according to cleanroom requirements. Please observe the chapters "7 Cleaning & Care Instructions" and "8 Autoclaving Instructions".



WARNING: Risk of injury by falling handle!
When using a cleaning trolley, place the mop handle in the handle holder to prevent it from falling.



Place the required amount of mops on the mop carrier in bucket 1.



NOTE: Make sure the pockets are facing towards the top.



Fill in the needed amount of cleaning fluid in bucket 2, in which the mop dosing unit is placed.



NOTE: Please make sure to add 2 liters of the desired fluid to reach the minimum fill level.



WARNING: Fill the buckets at place. When filled, move the trolley carefully. Do not exceed the maximum filling capacity of the bucket (max. 9 L).

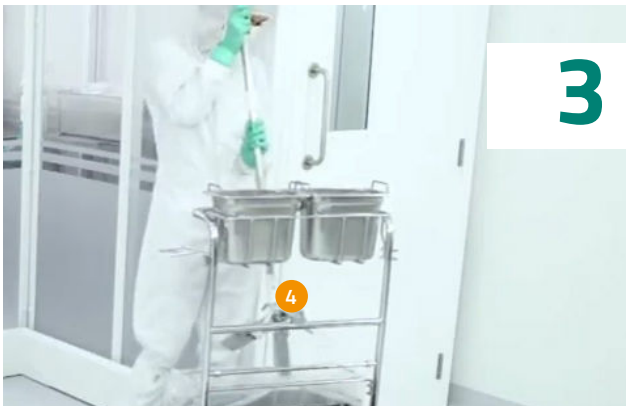


PurMop® 2.0 ERGO-S

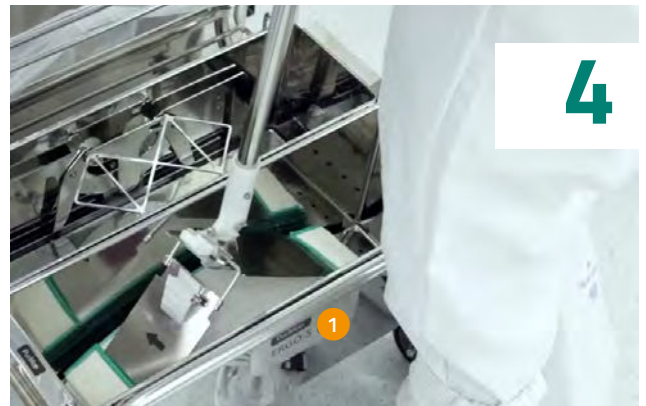
OPERATING INSTRUCTIONS

Mop Dosing System

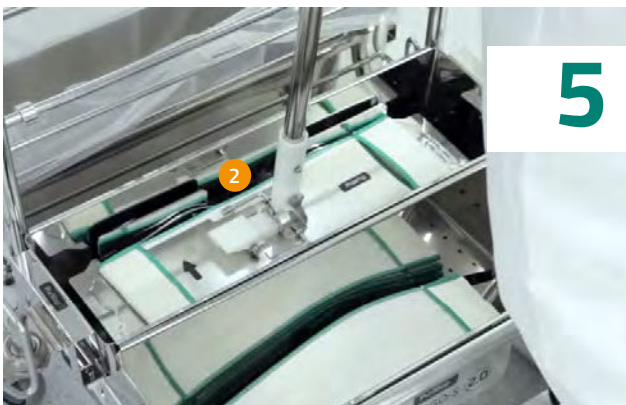
Stainless Steel



Open the mop frame by using the mop discard mechanism (pull upwards to unlock)



Pick up a new mop from bucket 1 by using the opened mop frame (press down until the mop frame locks)



Activate the mop dosing unit in bucket 2 by pushing downward.
Further information about dosing in chapter "6 Dosing Plates Overview".



NOTE: Place the holder centrally onto the mop dosing unit.



Wipe the predefined surface area (depending on mop type, approx. 10–15 m²). Stop the wiping process as soon as the floor no longer shows an even wetting.



NOTE: Change the mop regularly (regarding to the validated area performance of the mop type) and do not saturate or use the same mop again.



WARNING: Only use the mop dosing unit in combination with a handle and a frame. Operate carefully when full to avoid the risk of splashing.

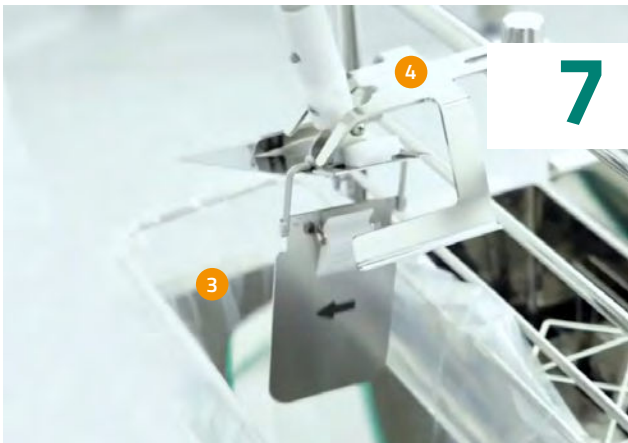


PurMop® 2.0 ERGO-S

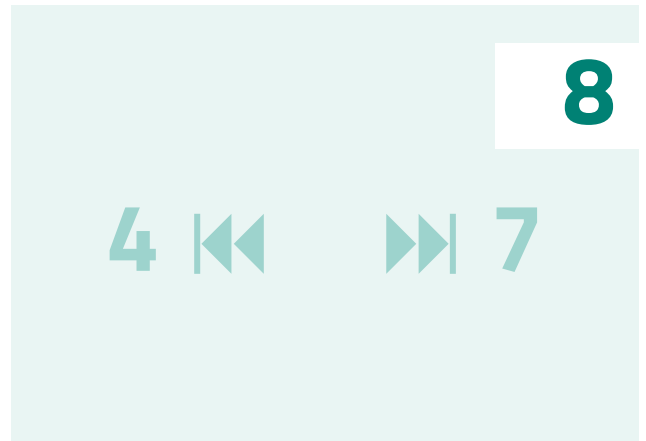
OPERATING INSTRUCTIONS

Mop Dosing System

Stainless Steel



Discard the used mop with the mop discarding mechanism in the mop bag in bucket 3.



Repeat steps 4-7 until the cleaning process is completed.



After completion, dispose the mop waste bag with the used mops inside.



Clean all parts of the trolley according to the Hydroflex "7 Cleaning & Care Instructions".

Store the trolley dry and residue free.



WARNING: When taking the cleaning trolley out of operation, first unload it at the rear so that the trolley does not tip over!



WARNING Agents containing chlorine can also have a corrosive effect on stainless steel if left on for a longer period (1 hour). Thorough cleaning of the components is therefore mandatory.



PurMop® 2.0 ERGO-S

OPERATING INSTRUCTIONS

Mop Dosing System

Stainless Steel

SPECIALTIES

The castors

The rear castors have lockers and can be locked for safe use.

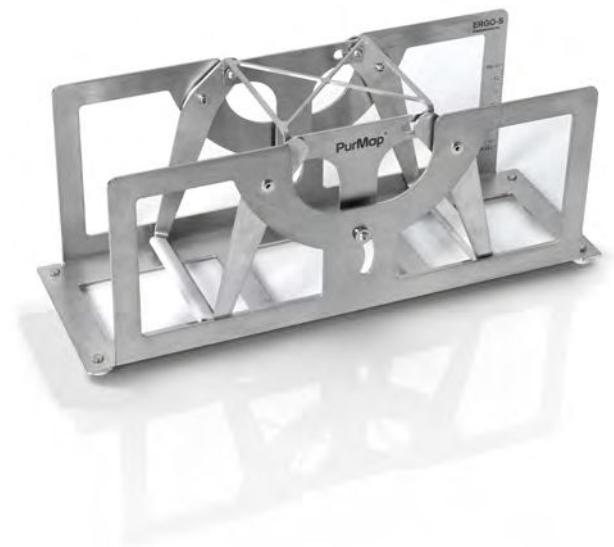


Mop Dosing Unit FBE50

The desired amount of liquid can be varied by activating the dosing unit several times.

The adherence of the holding time is important for correct saturation of the mops.

The activation method influences the liquid absorption of the mop. To achieve the best working performance, we recommend a double activation with 5–10 seconds holding time per activation.



Dosing Plates

Furthermore, the desired amount of liquid can be varied by using different dosing plates.

More information see *"6 Dosing Plates Overview"*



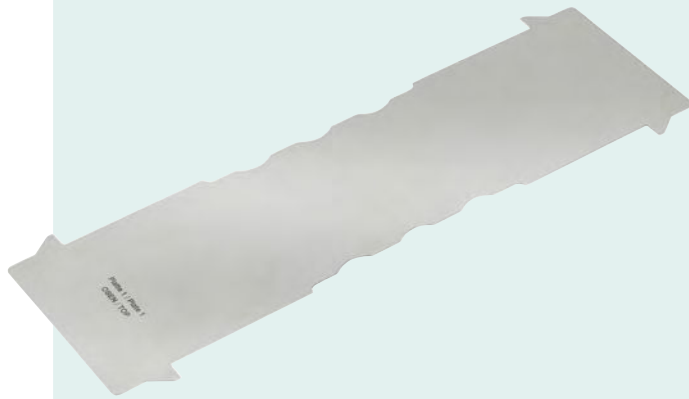


PurMop® 2.0 ERGO-S

DOSING PLATES OVERVIEW

For liquid dosing of mops with dosing unit FBE50

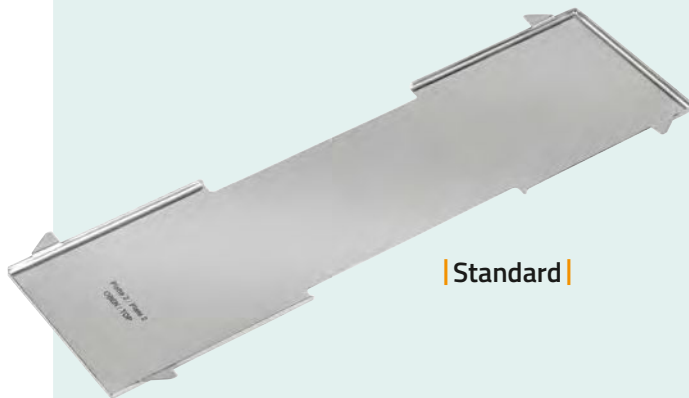
Stainless Steel



WPE1 (150 ml)

Filling quantity (min.): 1,1 l (KBW18) / 1,4 l (EWM18)
Type: Alternative dosage plate (optional)
Recommended application: Ideal for cleaning of floors, walls and ceilings

Item no. 2129227

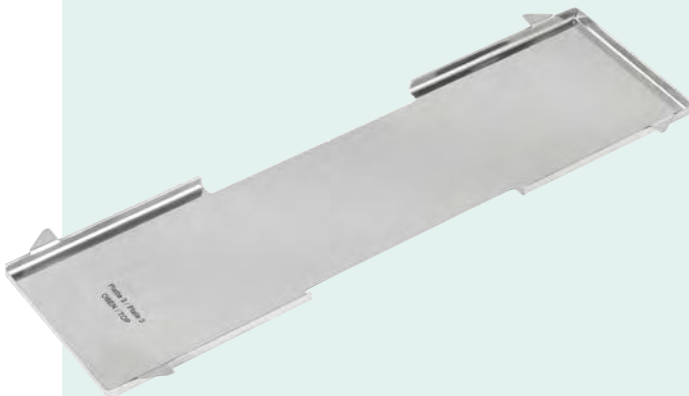


| Standard |

WPE2 (180 ml)

Filling quantity (min.): 1,4 l (KBW18) / 1,8 l (EWM18)
Type: Standard dosage plate for all ERGO models (included in delivery)
Recommended application: For cleaning and disinfection of floors

Item no. 2129264



WPE3 (200 ml)

Filling quantity (min.): 1,7 l (KBW18) / 2,1 l (EWM18)
Type: Alternative dosage plate (optional)
Recommended application: For disinfection of floors or two-stage cleaning/disinfection, for maximum surface coverage

Item no. 2129231

This information is supplied without liability. Subject to corrections and deviations. © Hydroflex Group GmbH

PurMop® 2.0 ERGO-S

CLEANING & CARE INSTRUCTIONS

Mop Dosing System

Stainless Steel

The PurMop® cleaning trolley is made of high-quality stainless steel (1.4301/AISI 304). In order to maintain its longevity and perfect function for a long time, we recommend following the cleaning and care instructions described below.



NOTE: Disregard of the instructions recommended in this manual can lead to the expiration of the warranty.

1. SETUP

After delivery, all components must undergo a visual inspection. Before the first use, all components must be thoroughly cleaned by hand to avoid possible contamination and residues. Only here-after all components can be brought into the cleanroom (according to the cleanroom protocol of the operator).

2. CLEANING

All components must be cleaned carefully after every use. For cleaning, use a cleanroom suitable wipe and water or isopropanol. Rinse the buckets thoroughly. Do not use a steel sponge or similar.

The low-gap and low-dead-space design of all components prevents contamination build up and residues and contamination wherever possible.

3. DISINFECTION

The components must be disinfected by wiping or spraying. In this case, the company's internal regulations must be followed for the disinfection of cleanroom equipment according to the operator's cleanroom protocol. Please make sure that the disinfectant used does not cause any reactions to the material used (Stainless steel 1.4301 / AISI 304). For more information see page 23 (chemical resistance) and check beforehand. Any disinfectant residues have to be removed after disinfection.

Chlorine-containing agents can also have a corrosive effect on stainless steel if left to act for a longer period (1 hour or longer). We recommend alcohol based disinfectants such as isopropanol or ethanol without additional additives.

4. STERILIZATION BY AUTOCLAVE

Please refer to the following chapter for this information "8 Autoclaving Instructions".

5. STORAGE

Prior to storage, components must be cleaned without residues, sterilized and dried thoroughly, (see points 2-4). Storage should be carried out in accordance with internal requirements in order to preserve hygiene and sterility.

6. MATERIALS / RESISTANCE

The components are made of high quality stainless steel (Stainless steel 1.4301 / AISI 304). All stainless steel surfaces are electropolished/mirror polished to reduce the surface roughness and to improve the cleanability. Due to this, they offer the best durability and long life as long as they are not damaged or incorrectly used (e. g. long contact time with aggressive chemicals or scratches which damage the protective layer of the steel).

7. WARNING NOTES

Disinfectants containing chlorine have a high corrosive effect on steels and can cause rust formation despite stainless steel. Therefore, chlorine containing agents may generally only be used for a contact time of max. 1 hour with PurMop® stainless steel components. A thorough removal of disinfectant residues (rinse) is absolutely necessary!

8. MAINTENANCE

The stainless steel components are maintenance-free.



PurMop® 2.0 ERGO-S

CLEANING & CARE INSTRUCTIONS

Mop Dosing System

Stainless Steel

CHEMICAL RESISTANCE

SUBSTANCE GROUP	EXAMPLE ACTIVE INGREDIENT	EXAMPLE CONCENTRATION	RESISTANCE AISI 304 / 1.4301	MAXIMUM CONTACT TIME RECOMMENDATION
Ketones	Acetone	99,5 %	high resistance	24 h
Alcohols	Ethanol	70,0 %		
	Isopropanol	99,9 %		
Diamines	N-(3-aminopropyl)-N-dodecylpropane-1,3-diamine	4,0 %	medium resistance	1–5 h
Phenol or phenol derivatives	Biphenyl-2-ol	1,5 %		
Hydroperoxides	Peracetic acid Hydrogen peroxide	0,4 % 6,0 %		
Acid	Phosphoric acid	8,5 %	low resistance	1 h
Lye	Sodium hydroxide solution	10,0 %		
Chlorine, organic or inorganic substances with active chlorine	Tosyl chloramide sodium: 3 H ₂ O Sodium dodecyl sulfate	0,5 %		
	Sodium hypochlorite	0,5–1,0 %		

Guide values are given in this document. These values can be influenced by processing conditions, modifications and environmental influences and do not exempt the user from carrying out his own tests. A legally binding assurance of certain properties or suitability for a specific application cannot be derived from our information.



PurMop® 2.0 ERGO-S

AUTOCLAVING INSTRUCTIONS

Mop Dosing System

Stainless Steel

RECOMMENDED PARAMETERS

The following parameters are generally approved for steam sterilization of the Hydroflex products:

121°C – 20 minutes

134°C – 5 minutes



Product for sterilization must be thoroughly cleaned beforehand, so that there are no residues on the surface.



If possible, dismantle modules for steam sterilization. Do not stack the modules as they should not be exposed to mechanical pressure during the sterilization process.



The castors of the trolleys are grease-free in delivery condition and should not be greased since lubricants can change during the steam sterilization process and leak out, leading to contamination.

This autoclaving instruction applies to the following trolley designs as well as for handles & frames:

TROLLEY SYSTEMS

- PurMop® 2.0 ERGO-S 200
- PurMop® 2.0 ERGO-S 205-F
- PurMop® 2.0 ERGO-S 210
- PurMop® 2.0 ERGO-S 230
- PurMop® 2.0 ERGO-S 300
- PurMop® 2.0 ERGO-S 320

HANDLES & FRAMES

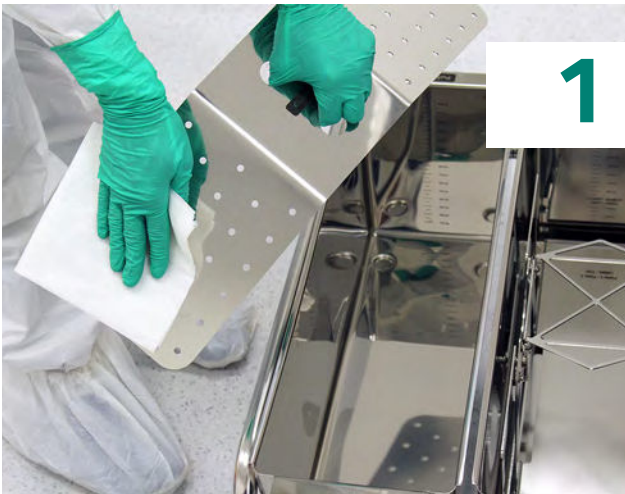
- Stainless steel handles
PurMop® SEP140 ; SET2070 ; SET2070-PK ; SET2100
- Stainless steel frames
PurMop® KEK40 ; KEK40 Light ; KEU40 ; KEK40-PK
- Aluminium handles
PurMop® SAT2100; SAT2150

PurMop® 2.0 ERGO-S

AUTOCLAVING INSTRUCTIONS

Mop Dosing System

Stainless Steel



The trolley system must be cleaned thoroughly before steam sterilization (residue free and rinsed) as well as completely dried to avoid chemical reactions.



All removable components can be removed if necessary and added separately to the autoclave. All buckets must be autoclaved individually and without content.



The trolley now can be placed into the autoclave.



WARNING: Make sure that the castors are not locked during the autoclaving process.



Start the autoclaving process. Make sure to comply with the autoclaving parameters specified by Hydroflex – these can be found on the previous page and in the respective data sheets.



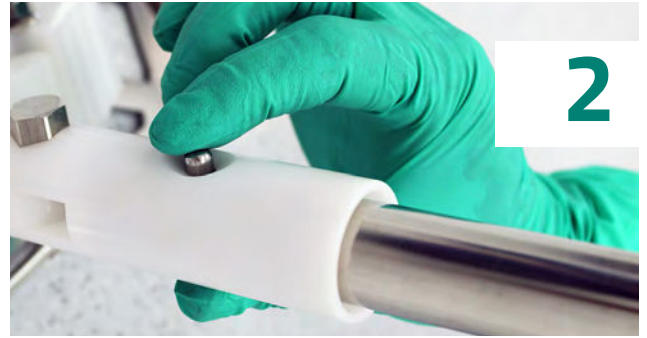
PurMop® 2.0 ERGO-S

AUTOCLAVING INSTRUCTIONS

Handles & Frames – Stainless Steel



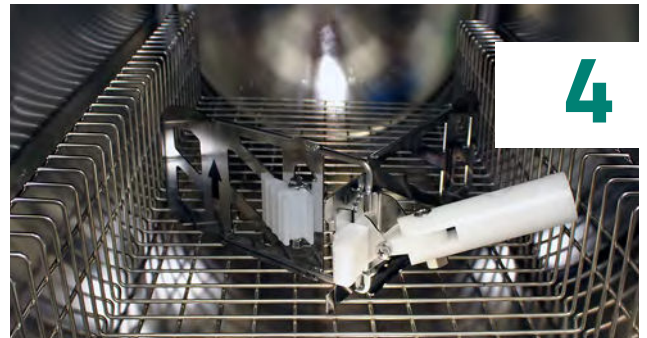
Open the frame.



Disconnect frame and holder.



Thoroughly clean the handle and frame before steam sterilization.



Place the opened frame lying on its side onto the sieve of the autoclave.



Loosen the telescopic screw connection of the handle and also place it onto the sieve of the autoclave. Then insert the sieve into the autoclave.



Start the autoclaving process. Make sure to comply with the autoclaving parameters specified by Hydroflex – these can be found on the first page of the chapter (chapter 8) and in the respective data sheet.



NOTE: Other processes such as **VHP sterilization** must be validated by the customer according to the internal SOPs.



PurMop® 2.0 ERGO-S DISPOSAL WARRANTY CONTACT

Mop Dosing System

Stainless Steel

DISPOSAL/WARRANTY

The packaging is made of materials that can be disposed of at local recycling facilities.

The product is made of stainless steel. In the interests of environmental protection, please pass on the product to an authorized disposal facility once it has reached the end of its product life. You can obtain information on waste collection facilities from the local authority responsible for your location.

We provide a 12-month warranty from the date of purchase, applicable to material and manufacturing defects in the product. The warranty does not apply:

- in the case of damage caused by improper use
- for damage caused by the user
- if the product has been dismantled/repaired by a non-authorized service provider
- consumable parts / wear and tear

COPYRIGHT

Unless expressly authorized, the transmission or duplication of this document and the exploitation and dissemination of its content are not permitted. Any breach or infringement will result in liability for damages.

All rights reserved.
© Hydroflex Group GmbH
V01 | June 2024

CONTACT

If you have any inquiries or feedback or would like to make a complaint, please contact our Customer Service:

Hydroflex Group GmbH
Kiesacker 19
35418 Buseck
Germany

Phone: +49 6408 50435-0
Fax: +49 6408 50435-20
info@hydroflex-group.com