



Equipment Catalog



Superior by Design

Stainless steel equipment reimagined and re-engineered from the ground up to eliminate tubular frames and hollow components.

Always Stainless

High quality materials result in high quality products for sanitary environments.



Fully Formed

No tubing or hollow components whatsoever, eliminating areas for bacteria and contaminants to harbor.



Simple Sanitation

Engineered with sanitation and maintenance teams in mind. Simple designs mean simple, less time-consuming sanitation.

Selection

Whether it's table and lug/tote carts or dollies and coat/frock hangers, we offer an array of equipment solutions to fulfill the needs of your business.

Durable

Built to withstand prolonged use and harsh routine sanitation.

TABLE OF CONTENTS

Model No.	Description	Page
SSL-1001	Tables	4-9
SSL-1001-S	Tables with Shelf	10-15
SSL-1002	Tables with Removable Tops	16-18
SSL-1119	2-Level Cart	19
SSL-2001	1-Lug / Tote Cart	20
SSL-2002	Side-by-Side 2-Lug / Tote Cart	21
SSL-2003	2-Lug / Tote Cart	22
SSL-2004	Side-by-Side 4-Lug / Tote Cart	23
SSL-2005	3-Lug / Tote Cart	24
SSL-2006	Side-by-Side 6-Lug / Tote Cart	25
SSL-2007	4-Lug / Tote Cart	26
SSL-2008	Side-by-Side 8-Lug / Tote Cart	27
SSL-2009	5-Lug / Tote Cart	28
SSL-2010	Side-by-Side 10-Lug / Tote Cart	29
SSL-1105	Mobile Receiving Desk / Workstation	30
SSL-1112	Utility Cart	31
SSL-1011	Twist-Lock Container Dolly	32
SSL-1602 & SSL-1603	Work Height Platform Trucks	33
SSL-1451 & SSL-1211	Heavy Duty Platform Trucks	34
SSL-1393	Tub Truck	35
SSL-1005	Workstation Platform	36
SSL-1528, SSL-1529 & SSL-1321	Single Step Platforms	37
SSL-1271 & SSL-1071	2-Step Platforms	38
SSL-1025 & SSL-1076	Mobile Boot Racks	39
SSL-1074 & SSL-1075	Wall-Mounted Boot Racks	40
SSL-1028, SSL-1143 & SSL-1390	Coat / Frock Racks	41
SSL-1046, SSL-1048 & SSL-1050	Removable Wall-Mounted Coat / Frock Hangers	42
SSL-1045, SSL-1047 & SSL-1049	Fixed Wall-Mounted Coat / Frock Hangers	43
SSL-1012	Removable Wall-Mounted Glove Box Holder	44
SSL-1604, SSL-1515, SSL-1517 & SSL-1518	Benches	45
SSL-1293, SSL-1007 & SSL-1083	Bag Holders	46
SSL-1581	Stool	47
SSL-1103	Hygienic Chair	48

Phone: (800) 616-5319

Email: sales@cleanroomconnection.com

www.cleanroomsupplies.com



Top

The top is formed of 11 gauge / 304 stainless steel and TIG welded complete to the frame. This patented design eliminates all closed channels and requires no nuts, bolts, or threads for assembly.

Frame

The frame is constructed of 11 gauge / 304 stainless steel and utilizes completely formed components (*no tubular or hollow components*). The frame is TIG welded complete and the table is fully assembled. Weight capacity = 1,200 lbs.

Finish

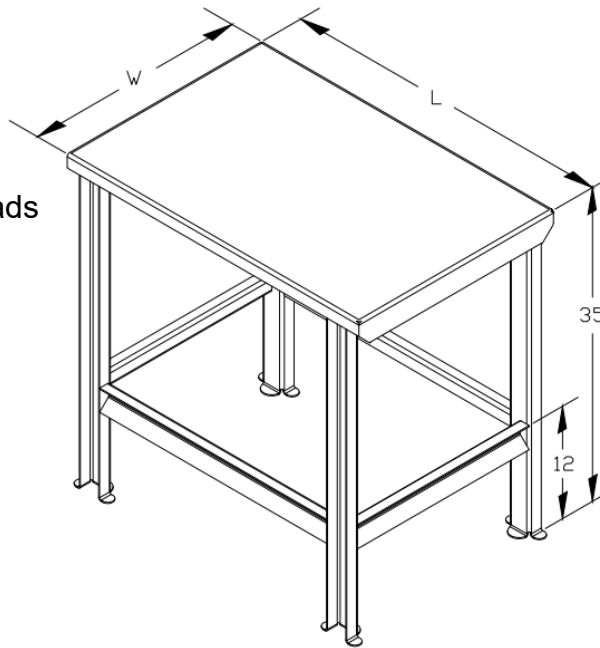
All components receive a dual-action medium Scotch-Brite finish and all welds are passivated.

Footing Options

- Paw Print
- Casters
- UHMW Pads
- Adjustable Pads
- Adjustable UHMW Pads

Shipping

All tables ship LTL/FTL



Standard Dimensions

Length	Width	Height
36"	24"	35"
36"	30"	35"
48"	24"	35"
48"	30"	35"
60"	24"	35"
60"	30"	35"
72"	24"	35"
72"	30"	35"



- Proprietary design
- (3) Formed tabs on the base of the foot for ample stability
- Most preferred option by regulatory bodies due to inherit clean design and sanitation
- USDA Accepted Equipment
- Compliant with the NSF/ANSI/3-A SSI-14159-1-2019 Hygiene Requirement for the Design of Meat and Poultry Processing Equipment

Model No.	Dimensions			Footing	Price / Ea. @ Qty:	
	L	W	H		1-3	4+
SSL-1001-36X24	36"	24"	35"	Paw Print	\$1,185	\$1,140
SSL-1001-36X30	36"	30"	35"	Paw Print	\$1,285	\$1,240
SSL-1001-48X24	48"	24"	35"	Paw Print	\$1,345	\$1,300
SSL-1001-48X30	48"	30"	35"	Paw Print	\$1,470	\$1,420
SSL-1001-60X24	60"	24"	35"	Paw Print	\$1,540	\$1,495
SSL-1001-60X30	60"	30"	35"	Paw Print	\$1,700	\$1,640
SSL-1001-72X24	72"	24"	35"	Paw Print	\$1,750	\$1,690
SSL-1001-72X30	72"	30"	35"	Paw Print	\$1,925	\$1,860



- Standard 4" solid blue polyurethane wheels
- (2) Rigid and (2) swivel with total locking brakes
- Load capacity of 300 lbs. per caster (1,200 lbs. per table)
- Temperature resistance -40°F to +180°F
- ½" Stainless steel spacers between footing and caster plates
- Stainless steel carriage bolts and acorn nuts
- Compliant with the NSF/ANSI/3-A SSI-14159-1-2019 Hygiene Requirement for the Design of Meat and Poultry Processing Equipment

Model No.	Dimensions			Footing	Price / Ea. @ Qty:	
	L	W	H		1-3	4+
SSL-1001-C-36X24	36"	24"	35"	½" SS Spacers & 4" Casters	\$1,470	\$1,420
SSL-1001-C-36X30	36"	30"	35"	½" SS Spacers & 4" Casters	\$1,580	\$1,520
SSL-1001-C-48X24	48"	24"	35"	½" SS Spacers & 4" Casters	\$1,625	\$1,570
SSL-1001-C-48X30	48"	30"	35"	½" SS Spacers & 4" Casters	\$1,755	\$1,695
SSL-1001-C-60X24	60"	24"	35"	½" SS Spacers & 4" Casters	\$1,830	\$1,770
SSL-1001-C-60X30	60"	30"	35"	½" SS Spacers & 4" Casters	\$1,985	\$1,910
SSL-1001-C-72X24	72"	24"	35"	½" SS Spacers & 4" Casters	\$2,035	\$1,965
SSL-1001-C-72X30	72"	30"	35"	½" SS Spacers & 4" Casters	\$2,210	\$2,135



- 1" Thick rectangular UHMW pads on the base of footing for ease of mobility
- Relieved corners on the base of the footing for drainage
- Stainless steel hex cap screws
- Compliant with the NSF/ANSI/3-A SSI-14159-1-2019 Hygiene Requirement for the Design of Meat and Poultry Processing Equipment

Model No.	Dimensions			Footing	Price / Ea. @ Qty:	
	L	W	H		1-3	4+
SSL-1001-P-36X24	36"	24"	35"	UHMW Pads	\$1,295	\$1,250
SSL-1001-P-36X30	36"	30"	35"	UHMW Pads	\$1,395	\$1,350
SSL-1001-P-48X24	48"	24"	35"	UHMW Pads	\$1,455	\$1,410
SSL-1001-P-48X30	48"	30"	35"	UHMW Pads	\$1,580	\$1,525
SSL-1001-P-60X24	60"	24"	35"	UHMW Pads	\$1,655	\$1,615
SSL-1001-P-60X30	60"	30"	35"	UHMW Pads	\$1,805	\$1,750
SSL-1001-P-72X24	72"	24"	35"	UHMW Pads	\$1,860	\$1,800
SSL-1001-P-72X30	72"	30"	35"	UHMW Pads	\$2,035	\$1,970



- 7GA stainless steel circular pads welded complete to thread, offering 1-3/4" of adjustability on all feet
- Relieved corners on the base of the footing for drainage
- Completely removable for washdown and sanitation
- Stainless steel hex nuts
- *NOTE: Adjustable feet not USDA Approved Equipment or NSF/ANSI/3-A Compliant due to exposed threads*

Model No.	Dimensions			Footing	Price / Ea. @ Qty:	
	L	W	H		1-3	4+
SSL-1001-A-36X24	36"	24"	35"	Adjustable Pads	\$1,260	\$1,220
SSL-1001-A-36X30	36"	30"	35"	Adjustable Pads	\$1,360	\$1,320
SSL-1001-A-48X24	48"	24"	35"	Adjustable Pads	\$1,425	\$1,375
SSL-1001-A-48X30	48"	30"	35"	Adjustable Pads	\$1,545	\$1,495
SSL-1001-A-60X24	60"	24"	35"	Adjustable Pads	\$1,620	\$1,580
SSL-1001-A-60X30	60"	30"	35"	Adjustable Pads	\$1,775	\$1,715
SSL-1001-A-72X24	72"	24"	35"	Adjustable Pads	\$1,825	\$1,765
SSL-1001-A-72X30	72"	30"	35"	Adjustable Pads	\$2,000	\$1,935

Phone: (800) 616-5319

Email: sales@cleanroomconnection.com

www.cleanroomsupplies.com



- 7GA / 304 stainless steel circular pads welded complete to thread with 1" UHMW, offering 1-3/4" of adjustability on all feet
- Relieved corners on the base of the footing for drainage
- Completely removable for washdown and sanitation
- Stainless steel hex screw and nuts
- *NOTE: Adjustable feet not USDA Approved Equipment or NSF/ANSI/3-A Compliant due to exposed threads*

Model No.	Dimensions			Footing	Price / Ea. @ Qty:	
	L	W	H		1-3	4+
SSL-1001-AP-36X24	36"	24"	35"	Adjustable UHMW Pads	\$1,300	\$1,255
SSL-1001-AP-36X30	36"	30"	35"	Adjustable UHMW Pads	\$1,400	\$1,355
SSL-1001-AP-48X24	48"	24"	35"	Adjustable UHMW Pads	\$1,460	\$1,415
SSL-1001-AP-48X30	48"	30"	35"	Adjustable UHMW Pads	\$1,585	\$1,530
SSL-1001-AP-60X24	60"	24"	35"	Adjustable UHMW Pads	\$1,660	\$1,615
SSL-1001-AP-60X30	60"	30"	35"	Adjustable UHMW Pads	\$1,810	\$1,755
SSL-1001-AP-72X24	72"	24"	35"	Adjustable UHMW Pads	\$1,865	\$1,805
SSL-1001-AP-72X30	72"	30"	35"	Adjustable UHMW Pads	\$2,040	\$1,975



Top

The top is formed of 11 gauge / 304 stainless steel and TIG welded complete to the frame. This patented design eliminates all closed channels and requires no nuts, bolts, or threads for assembly.

Frame

The frame is constructed of 11 gauge / 304 stainless steel and utilizes completely formed components (*no tubular or hollow components*). The frame is TIG welded complete and the table is fully assembled. Weight capacity = 1,200 lbs.

Shelf

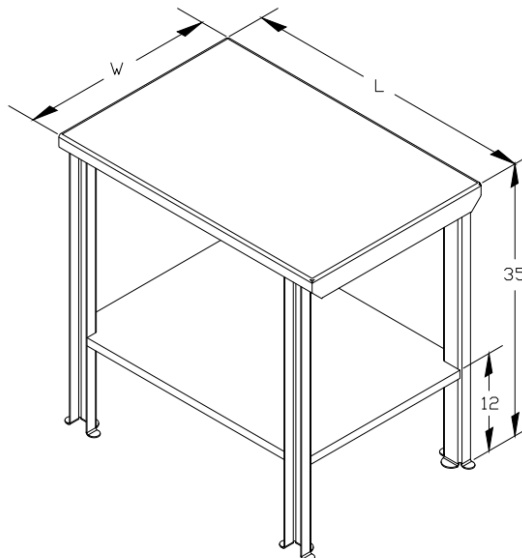
The shelf is formed of 14 gauge / 304 stainless steel and TIG welded complete to the frame at 12"H.

Finish

All components receive a dual-action medium Scotch-Brite finish and all welds are passivated.

Footing Options

- Paw Print
- Casters
- UHMW Pads
- Adjustable Pads
- Adjustable UHMW Pads



Standard Dimensions

Length	Width	Height
36"	24"	35"
36"	30"	35"
48"	24"	35"
48"	30"	35"
60"	24"	35"
60"	30"	35"
72"	24"	35"
72"	30"	35"

Shipping

All tables ship LTL/FTL



- Proprietary design
- (3) Formed tabs on the base of the foot for ample stability
- Most preferred option by regulatory bodies due to inherit clean design and sanitation
- USDA Accepted Equipment
- Compliant with the NSF/ANSI/3-A SSI-14159-1-2019 Hygiene Requirement for the Design of Meat and Poultry Processing Equipment

Model No.	Dimensions			Footing	Price / Ea. @ Qty:	
	L	W	H		1-3	4+
SSL-1001-S-36X24	36"	24"	35"	Paw Print	\$1,290	\$1,240
SSL-1001-S-36X30	36"	30"	35"	Paw Print	\$1,430	\$1,380
SSL-1001-S-48X24	48"	24"	35"	Paw Print	\$1,495	\$1,440
SSL-1001-S-48X30	48"	30"	35"	Paw Print	\$1,680	\$1,620
SSL-1001-S-60X24	60"	24"	35"	Paw Print	\$1,740	\$1,680
SSL-1001-S-60X30	60"	30"	35"	Paw Print	\$1,970	\$1,900
SSL-1001-S-72X24	72"	24"	35"	Paw Print	\$1,990	\$1,915
SSL-1001-S-72X30	72"	30"	35"	Paw Print	\$2,260	\$2,185



- Standard 4" solid blue polyurethane wheels
- (2) Rigid and (2) swivel with total locking brakes
- Load capacity of 300 lbs. per caster (1,200 lbs. per table)
- Temperature resistance -40°F to +180°F
- ½" Stainless steel spacers between footing and caster plates
- Stainless steel carriage bolts and acorn nuts
- Compliant with the NSF/ANSI/3-A SSI-14159-1-2019 Hygiene Requirement for the Design of Meat and Poultry Processing Equipment

Model No.	Dimensions			Footing	Price / Ea. @ Qty:	
	L	W	H		1-3	4+
SSL-1001-C-S-36X24	36"	24"	35"	½" SS Spacers & 4" Casters	\$1,575	\$1,520
SSL-1001-C-S-36X30	36"	30"	35"	½" SS Spacers & 4" Casters	\$1,715	\$1,655
SSL-1001-C-S-48X24	48"	24"	35"	½" SS Spacers & 4" Casters	\$1,780	\$1,715
SSL-1001-C-S-48X30	48"	30"	35"	½" SS Spacers & 4" Casters	\$1,965	\$1,895
SSL-1001-C-S-60X24	60"	24"	35"	½" SS Spacers & 4" Casters	\$2,065	\$1,955
SSL-1001-C-S-60X30	60"	30"	35"	½" SS Spacers & 4" Casters	\$2,255	\$2,175
SSL-1001-C-S-72X24	72"	24"	35"	½" SS Spacers & 4" Casters	\$2,275	\$2,190
SSL-1001-C-S-72X30	72"	30"	35"	½" SS Spacers & 4" Casters	\$2,545	\$2,455



- 1" Thick rectangular UHMW pads on the base of footing for ease of mobility
- Relieved corners on the base of the footing for drainage
- Stainless steel hex cap screws
- Compliant with the NSF/ANSI/3-A SSI-14159-1-2019 Hygiene Requirement for the Design of Meat and Poultry Processing Equipment

Model No.	Dimensions			Footing	Price / Ea. @ Qty:	
	L	W	H		1-3	4+
SSL-1001-P-S-36X24	36"	24"	35"	UHMW Pads	\$1,400	\$1,350
SSL-1001-P-S-36X30	36"	30"	35"	UHMW Pads	\$1,540	\$1,490
SSL-1001-P-S-48X24	48"	24"	35"	UHMW Pads	\$1,605	\$1,550
SSL-1001-P-S-48X30	48"	30"	35"	UHMW Pads	\$1,790	\$1,730
SSL-1001-P-S-60X24	60"	24"	35"	UHMW Pads	\$1,850	\$1,790
SSL-1001-P-S-60X30	60"	30"	35"	UHMW Pads	\$2,080	\$2,010
SSL-1001-P-S-72X24	72"	24"	35"	UHMW Pads	\$2,095	\$2,025
SSL-1001-P-S-72X30	72"	30"	35"	UHMW Pads	\$2,370	\$2,290



- 7GA stainless steel circular pads welded complete to thread, offering 1-3/4" of adjustability on all feet
- Relieved corners on the base of the footing for drainage
- Completely removable for washdown and sanitation
- Stainless steel hex nuts
- *NOTE: Adjustable feet not USDA Approved Equipment or NSF/ANSI/3-A Compliant due to exposed threads*

Model No.	Dimensions			Footing	Price / Ea. @ Qty:	
	L	W	H		1-3	4+
SSL-1001-A-S-36X24	36"	24"	35"	Adjustable Pads	\$1,365	\$1,320
SSL-1001-A-S-36X30	36"	30"	35"	Adjustable Pads	\$1,510	\$1,455
SSL-1001-A-S-48X24	48"	24"	35"	Adjustable Pads	\$1,570	\$1,520
SSL-1001-A-S-48X30	48"	30"	35"	Adjustable Pads	\$1,755	\$1,700
SSL-1001-A-S-60X24	60"	24"	35"	Adjustable Pads	\$1,815	\$1,755
SSL-1001-A-S-60X30	60"	30"	35"	Adjustable Pads	\$2,045	\$1,980
SSL-1001-A-S-72X24	72"	24"	35"	Adjustable Pads	\$2,065	\$1,995
SSL-1001-A-S-72X30	72"	30"	35"	Adjustable Pads	\$2,335	\$2,260



- 7GA / 304 stainless steel circular pads welded complete to thread with 1" UHMW, offering 1-3/4" of adjustability on all feet
- Relieved corners on the base of the footing for drainage
- Completely removable for washdown and sanitation
- Stainless steel hex screw and nuts
- *NOTE: Adjustable feet not USDA Approved Equipment or NSF/ANSI/3-A Compliant due to exposed threads*

Model No.	Dimensions			Footing	Price / Ea. @ Qty:	
	L	W	H		1-3	4+
SSL-1001-AP-S-36X24	36"	24"	35"	Adjustable UHMW Pads	\$1,405	\$1,355
SSL-1001-AP-S-36X30	36"	30"	35"	Adjustable UHMW Pads	\$1,545	\$1,495
SSL-1001-AP-S-48X24	48"	24"	35"	Adjustable UHMW Pads	\$1,610	\$1,555
SSL-1001-AP-S-48X30	48"	30"	35"	Adjustable UHMW Pads	\$1,795	\$1,735
SSL-1001-AP-S-60X24	60"	24"	35"	Adjustable UHMW Pads	\$1,855	\$1,795
SSL-1001-AP-S-60X30	60"	30"	35"	Adjustable UHMW Pads	\$2,085	\$2,015
SSL-1001-AP-S-72X24	72"	24"	35"	Adjustable UHMW Pads	\$2,100	\$2,030
SSL-1001-AP-S-72X30	72"	30"	35"	Adjustable UHMW Pads	\$2,375	\$2,295



Top

Formed tabs around the perimeter of the top of the frame allows for the customer to place desired removable working surface. Table comes standard with ½" thick white acetal top. This patented design eliminates all closed channels and requires no nuts, bolts, or threads for assembly.

Frame

The frame is constructed of 11 gauge / 304 stainless steel and utilizes completely formed components (*no tubular or hollow components*). The frame is TIG welded complete and the table is fully assembled.

Finish

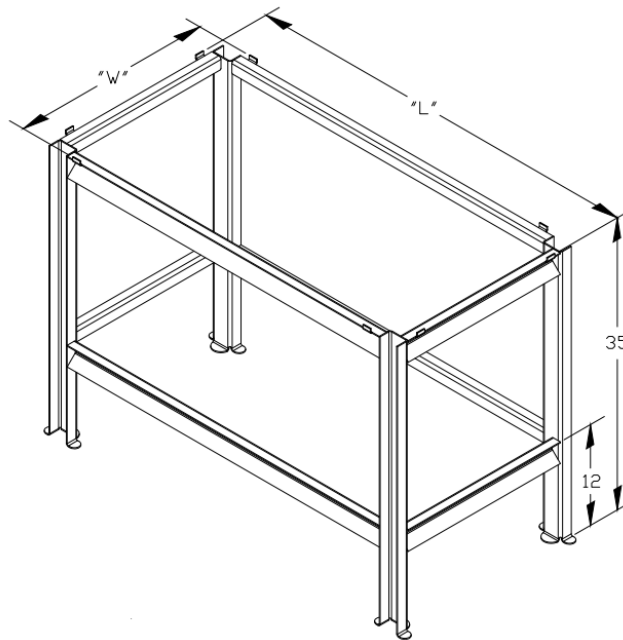
All components receive a dual-action medium Scotch-Brite finish and all welds are passivated.

Footing Options

- Paw Print
- Casters

Shipping

All tables ship LTL/FTL



Standard Dimensions

Length	Width	Height
36"	24"	35"
36"	30"	35"
48"	24"	35"
48"	30"	35"
60"	24"	35"
60"	30"	35"
72"	24"	35"
72"	30"	35"



- Proprietary design
- (3) Formed tabs on the base of the foot for ample stability
- *Most preferred option by regulatory bodies due to inherit clean design and sanitation*
- USDA Accepted Equipment
- Compliant with the NSF/ANSI/3-A SSI-14159-1-2019 Hygiene Requirement for the Design of Meat and Poultry Processing Equipment

Model No.	Dimensions			Footing	Price / Ea. @ Qty:	
	L	W	H		1-3	4+
SSL-1002-36X24	36"	24"	35"	Paw Print	\$1,230	\$1,185
SSL-1002-36X30	36"	30"	35"	Paw Print	\$1,425	\$1,375
SSL-1002-48X24	48"	24"	35"	Paw Print	\$1,415	\$1,365
SSL-1002-48X30	48"	30"	35"	Paw Print	\$1,510	\$1,455
SSL-1002-60X24	60"	24"	35"	Paw Print	\$2,190	\$2,115
SSL-1002-60X30	60"	30"	35"	Paw Print	\$2,235	\$2,155
SSL-1002-72X24	72"	24"	35"	Paw Print	\$2,400	\$2,315
SSL-1002-72X30	72"	30"	35"	Paw Print	\$2,700	\$2,605



- Standard 4" solid blue polyurethane wheels
- (2) Rigid and (2) swivel with total locking brakes
- Load capacity of 300 lbs. per caster (1,200 lbs. per table)
- Temperature resistance -40°F to +180°F
- ½" Stainless steel spacers between footing and caster plates
- Stainless steel carriage bolts and acorn nuts
- Compliant with the NSF/ANSI/3-A SSI-14159-1-2019 Hygiene Requirement for the Design of Meat and Poultry Processing Equipment

Model No.	Dimensions			Footing	Price / Ea. @ Qty:	
	L	W	H		1-3	4+
SSL-1002-C-36X24	36"	24"	35"	½" SS Spacers & 4" Casters	\$1,685	\$1,625
SSL-1002-C-36X30	36"	30"	35"	½" SS Spacers & 4" Casters	\$1,880	\$1,815
SSL-1002-C-48X24	48"	24"	35"	½" SS Spacers & 4" Casters	\$1,870	\$1,805
SSL-1002-C-48X30	48"	30"	35"	½" SS Spacers & 4" Casters	\$1,960	\$1,890
SSL-1002-C-60X24	60"	24"	35"	½" SS Spacers & 4" Casters	\$2,645	\$2,550
SSL-1002-C-60X30	60"	30"	35"	½" SS Spacers & 4" Casters	\$2,685	\$2,590
SSL-1002-C-72X24	72"	24"	35"	½" SS Spacers & 4" Casters	\$2,845	\$2,745
SSL-1002-C-72X30	72"	30"	35"	½" SS Spacers & 4" Casters	\$3,130	\$3,020

Phone: (800) 616-5319

Email: sales@cleanroomconnection.com

www.cleanroomsupplies.com



Top & Bottom Tray

Formed 11 gauge / 304 stainless steel and features strategically located lasered holes for proper drainage. 1-1/2" top tray and 4" bottom tray.

Handle

Formed Ø3/4" stainless steel solid round stock.

Frame

Formed 11 gauge / 304 stainless steel (no hollow or tubular components).

Construction

All contact points are TIG welded complete and the cart is fully assembled. Weight capacity = 1,000 lbs.

Pricing

Model No.	Price / Ea. @ Qty:	
	1-3	4+
SSL-1119 (36"L x 24"W x 35"H)	\$1,420	\$1,375

Finish

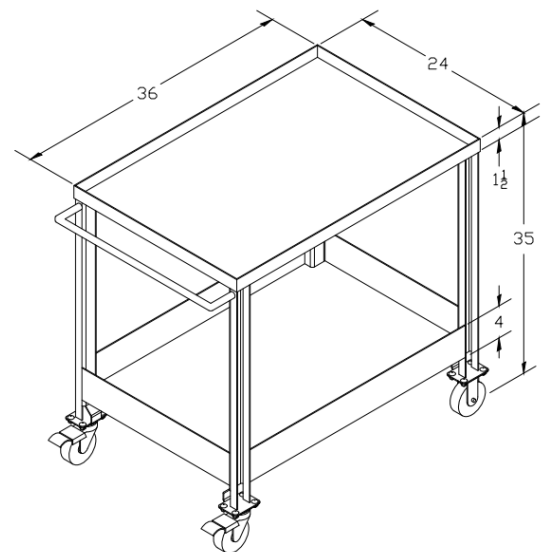
All components receive a dual-action medium Scotch-Brite finish and all welds are passivated.

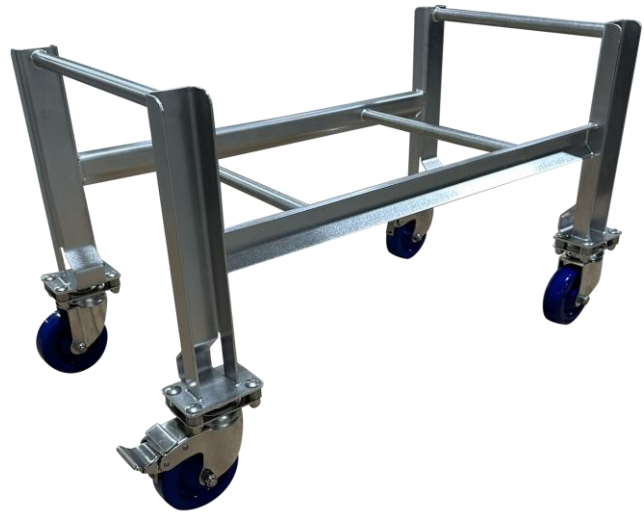
Footing

Casters – (2) 4" swivel with total locking brake & (2) 4" rigid casters with 1/2" stainless steel spacers and hardware.

Shipping

All cart ship fully assembled LTL/FTL.





Material

Formed 11 gauge / 304 stainless steel and Ø3/4" stainless steel solid round stock (no hollow or tubular components).

Design

Engineered to fit (1) standard lug/tote (not included) with or without lid.

Construction

All contact points are TIG welded complete and the cart is fully assembled.

Finish

All components receive a dual-action medium Scotch-Brite finish and all welds are passivated.

Footing

Casters – (2) 4" swivel with total locking brake & (2) 4" swivel casters with ½" stainless steel spacers and hardware.

Shipping

All carts ship fully assembled UPS-Ground or LTL/FTL dependent on qty.

Pricing

Model No.	Price / Ea. @ Qty:	
	1-3	4+
SSL-2001	\$755	\$725



Material

Formed 11 gauge / 304 stainless steel and Ø3/4” stainless steel solid round stock (no hollow or tubular components).

Design

Engineered to fit (2) standard lugs/totes (not included) with or without lids.

Construction

All contact points are TIG welded complete and the cart is fully assembled.

Finish

All components receive a dual-action medium Scotch-Brite finish and all welds are passivated.

Footing

Casters – (2) 4” swivel with total locking brake & (2) 4” swivel casters with ½” stainless steel spacers and hardware.

Shipping

All carts ship fully assembled UPS-Ground or LTL/FTL dependent on qty.

Pricing

Model No.	Price / Ea. @ Qty:	
	1-3	4+
SSL-2002	\$780	\$755



Material

Formed 11 gauge / 304 stainless steel and Ø3/4" stainless steel solid round stock (no hollow or tubular components).

Design

Engineered to fit (2) standard lugs/totes (not included) with or without lids.

Construction

All contact points are TIG welded complete and the cart is fully assembled.

Finish

All components receive a dual-action medium Scotch-Brite finish and all welds are passivated.

Footing

Casters – (2) 4" swivel with total locking brake & (2) 4" swivel casters with 1/2" stainless steel spacers and hardware.

Shipping

All carts ship fully assembled LTL/FTL.

Pricing

Model No.	Price / Ea. @ Qty:	
	1-3	4+
SSL-2003	\$905	\$875



Material

Formed 11 gauge / 304 stainless steel and Ø3/4” stainless steel solid round stock (no hollow or tubular components).

Design

Engineered to fit (4) standard lugs/totes (not included) with or without lids.

Construction

All contact points are TIG welded complete and the cart is fully assembled.

Finish

All components receive a dual-action medium Scotch-Brite finish and all welds are passivated.

Footing

Casters – (2) 4” swivel with total locking brake & (2) 4” swivel casters with ½” stainless steel spacers and hardware.

Shipping

All carts ship fully assembled LTL/FTL.

Pricing

Model No.	Price / Ea. @ Qty:	
	1-3	4+
SSL-2004	\$1,070	\$1,035



Material

Formed 11 gauge / 304 stainless steel and Ø3/4" stainless steel solid round stock (no hollow or tubular components).

Design

Engineered to fit (3) standard lugs/totes (not included) with or without lids.

Construction

All contact points are TIG welded complete and the cart is fully assembled.

Finish

All components receive a dual-action medium Scotch-Brite finish and all welds are passivated.

Footing

Casters – (2) 4" swivel with total locking brake & (2) 4" swivel casters with ½" stainless steel spacers and hardware.

Shipping

All carts ship fully assembled LTL/FTL.

Pricing

Model No.	Price / Ea. @ Qty:	
	1-3	4+
SSL-2005	\$1,060	\$1,020



Material

Formed 11 gauge / 304 stainless steel and Ø3/4” stainless steel solid round stock (no hollow or tubular components).

Design

Engineered to fit (6) standard lugs/totes (not included) with or without lids.

Construction

All contact points are TIG welded complete and the cart is fully assembled.

Finish

All components receive a dual-action medium Scotch-Brite finish and all welds are passivated.

Footing

Casters – (2) 4” swivel with total locking brake & (2) 4” swivel casters with ½” stainless steel spacers and hardware.

Shipping

All carts ship fully assembled LTL/FTL.

Pricing

Model No.	Price / Ea. @ Qty:	
	1-3	4+
SSL-2006	\$1,305	\$1,255



Material

Formed 11 gauge / 304 stainless steel and Ø3/4" stainless steel solid round stock (no hollow or tubular components).

Design

Engineered to fit (4) standard lugs/totes (not included) with or without lids.

Construction

All contact points are TIG welded complete and the cart is fully assembled.

Finish

All components receive a dual-action medium Scotch-Brite finish and all welds are passivated.

Footing

Casters – (2) 4" swivel with total locking brake & (2) 4" swivel casters with ½" stainless steel spacers and hardware.

Shipping

All carts ship fully assembled LTL/FTL.

Pricing

Model No.	Price / Ea. @ Qty:	
	1-3	4+
SSL-2007	\$1,210	\$1,165



Material

Formed 11 gauge / 304 stainless steel and Ø3/4” stainless steel solid round stock (no hollow or tubular components).

Design

Engineered to fit (8) standard lugs/totes (not included) with or without lids.

Construction

All contact points are TIG welded complete and the cart is fully assembled.

Finish

All components receive a dual-action medium Scotch-Brite finish and all welds are passivated.

Footing

Casters – (2) 4” swivel with total locking brake & (2) 4” swivel casters with ½” stainless steel spacers and hardware.

Shipping

All carts ship fully assembled LTL/FTL.

Pricing

Model No.	Price / Ea. @ Qty:	
	1-3	4+
SSL-2008	\$1,500	\$1,445



Material

Formed 11 gauge / 304 stainless steel and Ø3/4" stainless steel solid round stock (no hollow or tubular components).

Design

Engineered to fit (5) standard lugs/totes (not included) with or without lids.

Construction

All contact points are TIG welded complete and the cart is fully assembled.

Finish

All components receive a dual-action medium Scotch-Brite finish and all welds are passivated.

Footing

Casters – (2) 4" swivel with total locking brake & (2) 4" swivel casters with ½" stainless steel spacers and hardware.

Shipping

All carts ship fully assembled LTL/FTL.

Pricing

Model No.	Price / Ea. @ Qty:	
	1-3	4+
SSL-2009	\$1,360	\$1,315



Material

Formed 11 gauge / 304 stainless steel and Ø3/4” stainless steel solid round stock (no hollow or tubular components).

Design

Engineered to fit (10) standard lugs/totes (not included) with or without lids.

Construction

All contact points are TIG welded complete and the cart is fully assembled.

Finish

All components receive a dual-action medium Scotch-Brite finish and all welds are passivated.

Footing

Casters – (2) 4” swivel with total locking brake & (2) 4” swivel casters with ½” stainless steel spacers and hardware.

Shipping

All carts ship fully assembled LTL/FTL.

Pricing

Model No.	Price / Ea. @ Qty:	
	1-3	4+
SSL-2010	\$1,705	\$1,640



Material

16, 14, and 11 gauge / 304 stainless steel and Ø3/4" stainless steel solid round stock (no hollow or tubular components).

Removable Tray

Features a slide-out 24"L x 24"W x 4"H 14 gauge / 304 stainless steel tray.

Shelf

Fully welded 14 gauge/ 304 stainless steel lower shelf located at 12"H.

Construction

All contact points are TIG welded complete and the desk is fully assembled.

Finish

All components receive a dual-action medium Scotch-Brite finish and all welds are passivated.

Footing

Casters – (2) 4" swivel with total locking brake & (2) 4" swivel casters with ½" stainless steel spacers and hardware.

Shipping

All desks ship fully assembled LTL/FTL.

Pricing

Model No.	Price / Ea. @ Qty:	
	1-3	4+
SSL-1105	\$1,230	\$1,185



Top & Shelves

Formed 11 gauge / 304 stainless steel (no hollow or tubular components).

Handle

Formed Ø3/4" stainless steel solid round stock.

Frame

Formed 11 gauge / 304 stainless steel (no hollow or tubular components).

Construction

All contact points are TIG welded complete and the cart is fully assembled. Weight capacity = 1,000 lbs.

Finish

All components receive a dual-action medium Scotch-Brite finish and all welds are passivated.

Footing

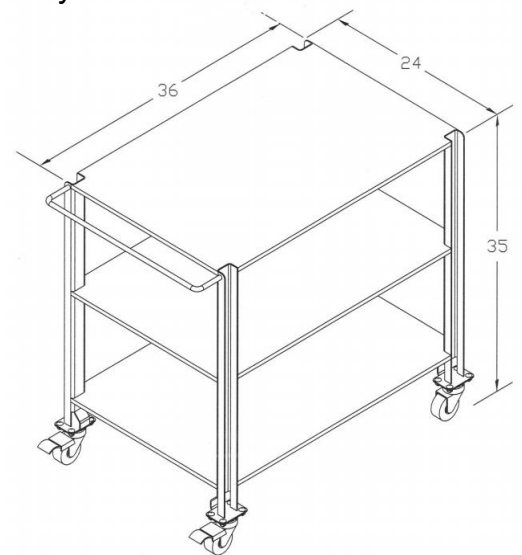
Casters – (2) 4" swivel with total locking brake & (2) 4" rigid casters with ½" stainless steel spacers and hardware.

Shipping

All carts ship fully assembled LTL/FTL

Pricing

Model No.	Price / Ea. @ Qty:	
	1-3	4+
SSL-1112 (36"L x 24"W x 35"H)	\$1,565	\$1,515





Material

Formed 11 gauge / 304 stainless steel (no hollow or tubular components).

Design

Engineered for 20-, 32-, 44- and 55-gallon can (not included) to easily twist and lock into place.

Construction

All contact points are TIG welded complete and the dolly is fully assembled.

Finish

All components receive a dual-action medium Scotch-Brite finish and all welds are passivated.

Footing

Casters – (4) 3” swivel casters with stainless steel brackets and hardware.

Shipping

All dollies ship fully assembled UPS-Ground (qty. 1-3) or LTL (qty. 4+).

Pricing

Model No.	Price / Ea. @ Qty:	
	1-3	4+
SSL-1011	\$450	\$430



Model No. SSL-1602 Pictured

Top & Frame

Formed 11 gauge / 304 stainless steel (no hollow or tubular components).

Handle

Ø1" Stainless steel solid round stock.

Construction

All contact points are TIG welded complete and the truck is fully assembled. Weight capacity = 1,200 lbs.

Finish

All components receive a dual-action medium Scotch-Brite finish and all welds are passivated.

Footing

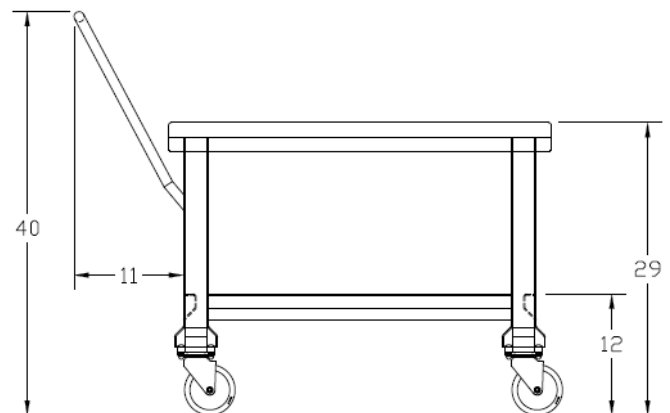
Casters – (2) 4" swivel with total locking brake & (2) 4" rigid casters with ½" stainless steel spacers and hardware.

Footing

All trucks ship fully assembled LTL/FTL.

Dimensional Options & Pricing

Model No.	Price / Ea. @ Qty:	
	1-3	4+
SSL-1602 (36" x 24")	\$1,610	\$1,550
SSL-1603 (48" x 24")	\$1,765	\$1,705





Model No. SSL-1211 Pictured



Material

Formed 1/4" & 7 gauge / 304 stainless steel (no hollow or tubular components).

Handle

Ø1" Stainless steel solid round stock.

Construction

All contact points are TIG welded complete and the truck is fully assembled. Weight capacity = 2,500 lbs.

Finish

All components receive a dual-action medium Scotch-Brite finish and all welds are passivated.

Footing

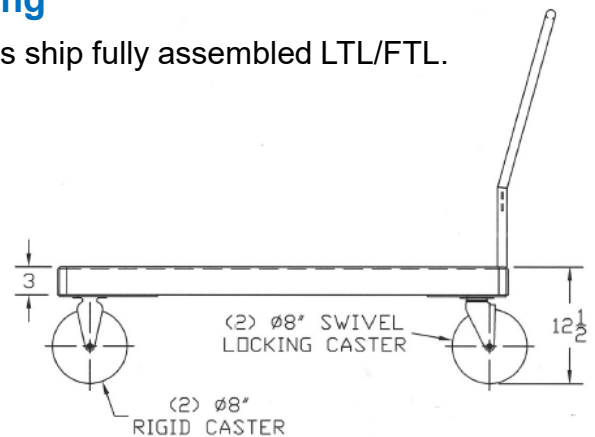
Casters – (2) 8" swivel with total locking brake & (2) 8" rigid casters with 1/2" stainless steel spacers and hardware.

Shipping

All trucks ship fully assembled LTL/FTL.

Dimensional Options & Pricing

Model No.	Price / Ea. @ Qty:	
	1-3	4+
SSL-1451 (36" x 30")	\$1,945	\$1,875
SSL-1211 (48" x 30")	\$2,180	\$2,085





Tub & Frame

Formed 11 gauge / 304 stainless steel (*no hollow or tubular components*). Inside dimensions of the tub are 48”L x 24”W x 17”D and features a Ø1” drainage hole with 1”L drainage tube.

Handle

Formed Ø1” stainless steel solid round stock.

Construction

All contact points are TIG welded complete and the cart is fully assembled. Weight capacity = 1,000 lbs.

Finish

All components receive a dual-action medium Scotch-Brite finish and all welds are passivated.

Footing

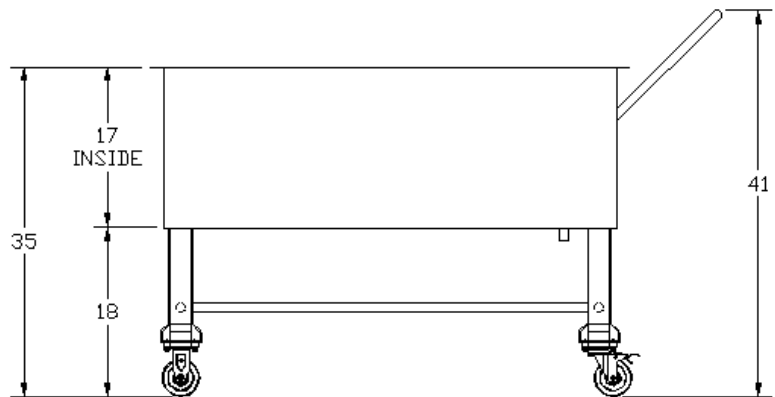
Casters – (2) 4” swivel with total locking brake & (2) 4” rigid casters with ½” stainless steel spacers and hardware.

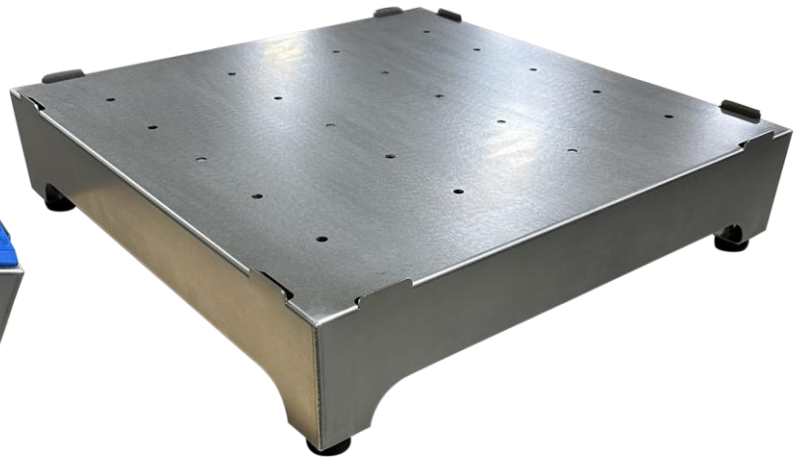
Shipping

All trucks ship fully assembled LTL/FTL.

Pricing

Model No.	Price / Ea. @ Qty:	
	1-3	4+
SSL-1393	\$2,180	\$2,110





Material

Formed 14 gauge / 304 stainless steel (no hollow or tubular components).

Design

Features formed tabs around the perimeter of the top for customer to place rubber mat (not included). Lasered holes on the top of the platform allows for proper drainage.

Construction

All contact points are TIG welded complete and the platform is fully assembled. Weight capacity = 350 lbs.

Finish

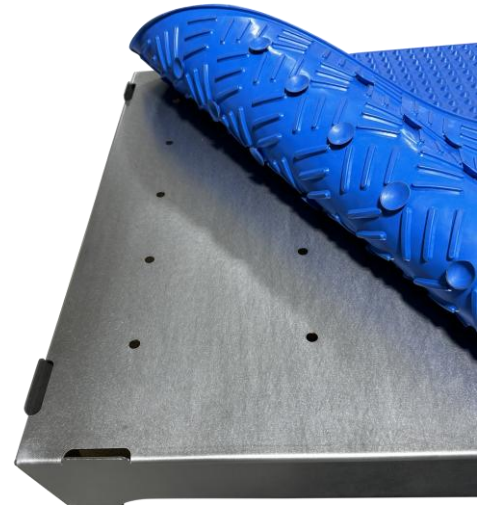
All components receive a dual-action medium Scotch-Brite finish and all welds are passivated.

Footing

Rubber non-skid pads.

Shipping

UPS-Ground



Pricing

Model No.	Price / Ea. @ Qty:	
	1-3	4+
SSL-1005 (24"L x 24"W x 6"H) Without Mat	\$425	\$410
SSL-1005 (24"L x 24"W x 6"H) With Mat	\$555	\$540



Model No. SSL-1321 Pictured



Material

Formed 11 gauge / 304 stainless steel (no hollow or tubular components).

Top

Features lasered holes all punched up for grip.

Construction

All contact points are TIG welded complete and the platform is fully assembled. Weight capacity = 1,000 lbs.

Finish

All components receive a dual-action medium Scotch-Brite finish and all welds are passivated.

Footing

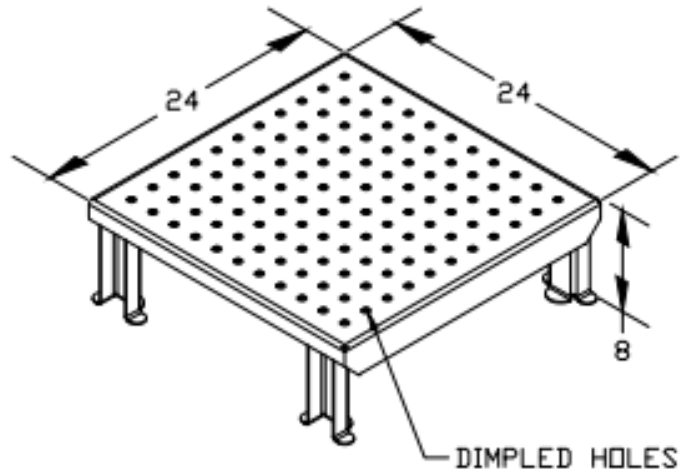
Standard platforms have Paw Print Footing (pictured). Rubber non-skid or UHMW pads are available upon request.

Shipping

All platforms ship fully assembled LTL/FTL.

Dimensional Options & Pricing

Model No.	Price / Ea. @ Qty:	
	1-3	4+
SSL-1528 (24"L x 24"W x 8"H)	\$640	\$615
SSL-1529 (36"L x 24"W x 8"H)	\$735	\$710
SSL-1321 (48"L x 24"W x 8"H)	\$830	\$805



Model No. SSL-1528



Model No. SSL-1271 Pictured



Material

Formed 11 gauge / 304 stainless steel and Ø1" stainless steel solid round stock (no tubular or hollow components).

Step & Top

Features lasered holes all punched up for grip and tabbed kick plates around the perimeters.

Construction

All contact points are TIG welded complete and the platform is fully assembled. Weight capacity = 1,000 lbs.

Finish

All components receive a dual-action medium Scotch-Brite finish and all welds are passivated.

Footing

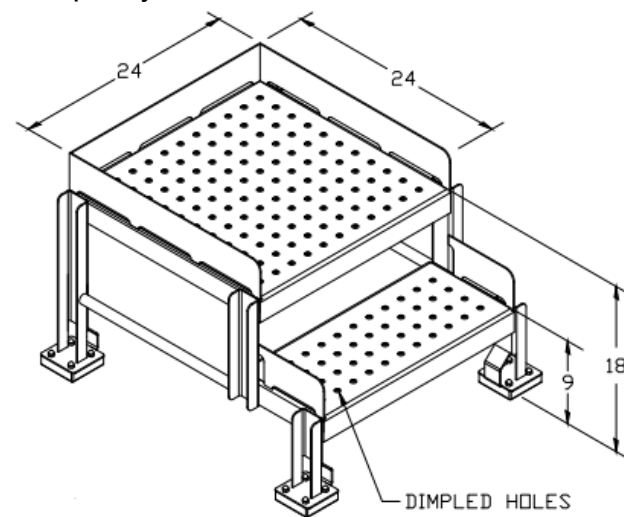
Paw Print Footing (SSL-1271) or rubber non-skid pads (SSL-1071).

Shipping

All platforms ship fully assembled LTL/FTL

Footing Options & Pricing

Model No.	Price / Ea. @ Qty:	
	1-3	4+
SSL-1271 (w/ Paw Print)	\$1,515	\$1,470
SSL-1071 (w/ Rubber Pads)	\$1,555	\$1,515



Model No. SSL-1071



Model No. SSL-1025 Pictured

Capacity Options & Pricing

Model No.	Price / Ea. @ Qty:	
	1-3	4+
SSL-1025 (15-Pair)	\$2,085	\$1,990
SSL-1076 (24-Pair)	\$2,395	\$2,275

Material

Formed 11 gauge / 304 stainless steel and Ø1" & Ø1/4" stainless steel solid round stock (no hollow or tubular components).

Construction

All contact points are TIG welded complete and the rack is fully assembled.

Finish

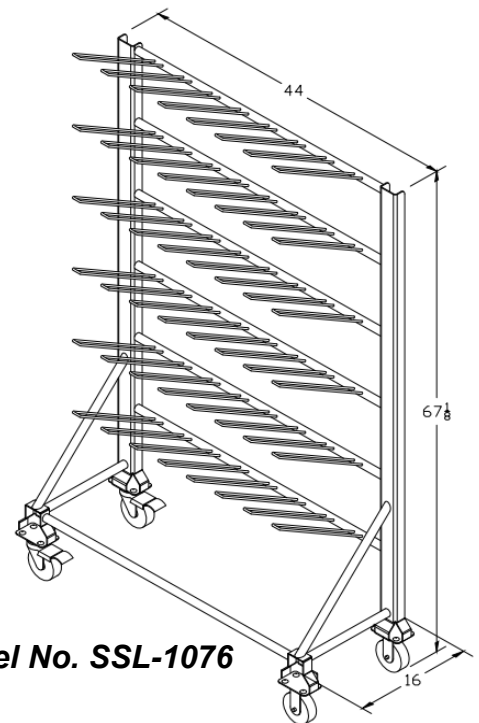
All components receive a dual-action medium Scotch-Brite finish and all welds are passivated.

Footing

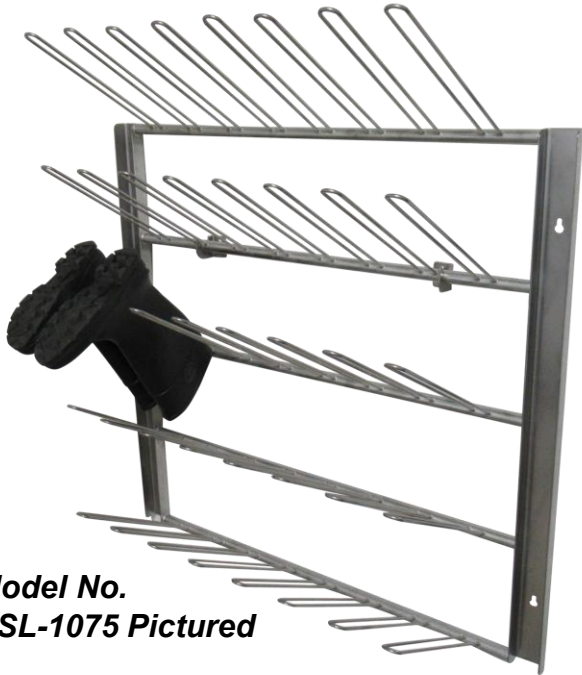
Casters – (2) 4" swivel with total locking brake & (2) 4" rigid casters with 1/2" stainless steel spacers and hardware.

Shipping

All racks ship fully assembled LTL/FTL



Model No. SSL-1076



Model No.
SSL-1075 Pictured



Material

Formed 11 gauge / 304 stainless steel and Ø1" & Ø1/4" stainless steel solid round stock (no hollow or tubular components).

Construction

All contact points are TIG welded complete and the rack is fully assembled.

Finish

All components receive a dual-action medium Scotch-Brite finish and all welds are passivated.

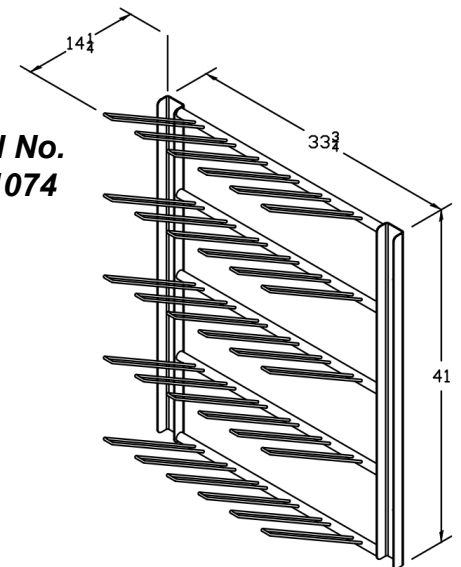
Mounting

Each unit ships with (4) stainless steel mounting plates and (2) stainless steel mounting books (with 1/4" clearance holes) to allow for easy lift-off.

Mounting

All racks ship fully assembled LTL/FTL

Model No.
SSL-1074



Capacity Options & Pricing

Model No.	Price / Ea. @ Qty:	
	1-3	4+
SSL-1074 (15-Pair)	\$1,160	\$1,135
SSL-1075 (20-Pair)	\$1,265	\$1,200



Model No. SSL-1028



Model No. SSL-1143

Material

Formed 11 gauge / 304 stainless steel and Ø1" stainless steel solid round stock (no hollow or tubular components).

Design

Engineered with 22 formed hooks for the hanging of coats/frocks. Closed base (to avoid contact with the floor) and open base models available.

Construction

All contact points are TIG welded complete and the rack is fully assembled.

Finish

All components receive a dual-action medium Scotch-Brite finish and all welds are passivated.

Footing

Paw Print or Casters – (2) 4" swivel with total locking brake & (2) 4" rigid casters with ½" stainless steel spacers and hardware

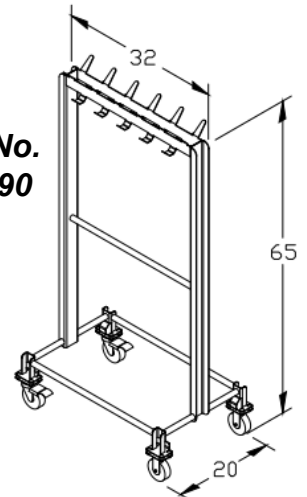
Shipping

All racks ship fully assembled LTL/FTL

Design Options & Pricing

Model No.	Price / Ea. @ Qty:	
	1-3	4+
SSL-1028 (Closed Base w/ Casters)	\$1,325	\$1,280
SSL-1143 (Open Base w/ Paw Print)	\$1,040	\$995
SSL-1390 (Open Base w/ Casters)	\$1,250	\$1,185

Model No. SSL-1390





Model No. SSL-1048 Pictured



Material

Formed 11 gauge / 304 stainless steel (no hollow or tubular components).

Design

Engineered to fit (5), (9), or (13) coats/frocks. Comes standard with a lower spacer bar so hanging coats/frocks avoid direct contact with the wall.

Finish

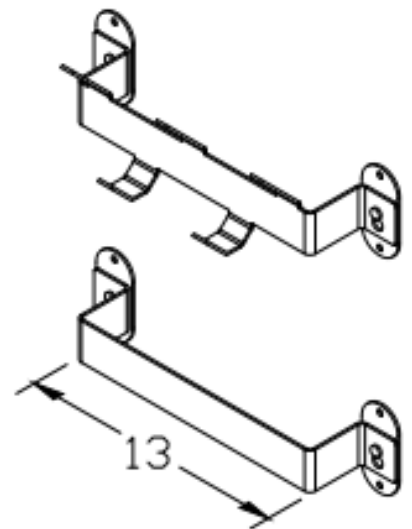
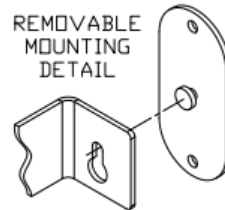
All components receive a dual-action medium Scotch-Brite finish and all welds are passivated.

Mounting

Each unit ships with (4) stainless steel mounting plates for ease of lift-off and sanitation.

Shipping

UPS-Ground



Model No. SSL-1046

Sizing Options & Pricing

Model No.	Price / Ea. @ Qty:	
	1-3	4+
SSL-1046 (5-Hook)	\$195	\$185
SSL-1048 (9-Hook)	\$260	\$250
SSL-1050 (13-Hook)	\$305	\$295



Model No. SSL-1049 Pictured



Model No. SSL-1045 Pictured

Material

Formed 11 gauge / 304 stainless steel (no hollow or tubular components).

Design

Engineered to fit (5), (9), or (13) coats/frocks.

Finish

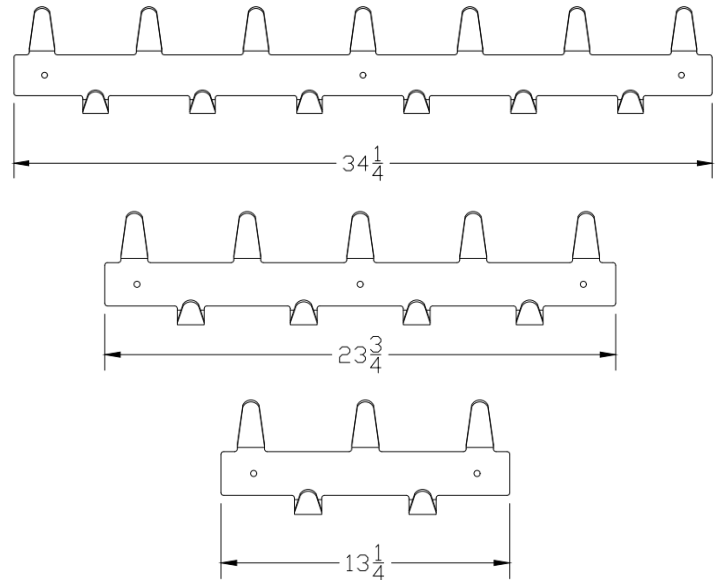
All components receive a dual-action medium Scotch-Brite finish.

Mounting

Clearance holes for 1/4" screw/bolt to allow for direct wall-mounting.

Shipping

UPS-Ground



Sizing Options & Pricing

Model No.	Price / Ea. @ Qty:	
	1-3	4+
SSL-1045 (5-Hook)	\$80	\$75
SSL-1047 (9-Hook)	\$100	\$95
SSL-1049 (13-Hook)	\$120	\$115



Material

11 gauge / 304 stainless steel and $\text{Ø}1/4$ " stainless steel solid round stock (*no hollow or tubular components*). Fits (4) standard glove boxes.

Construction

The glove box holder is TIG welded complete.

Mounting

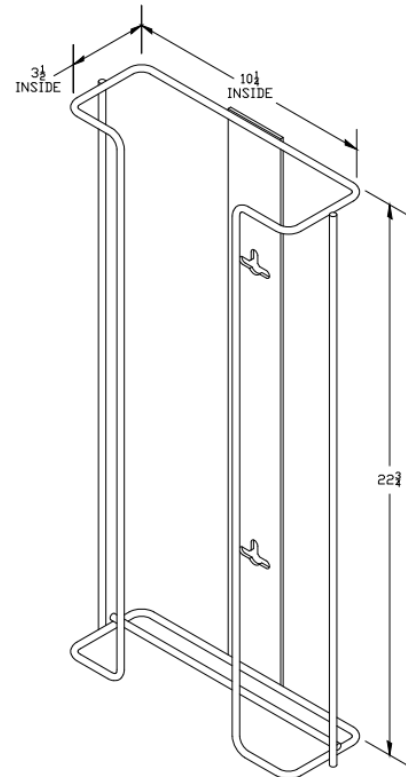
Each unit is shipped with (2) stainless steel mounting plates for ease of lift-off and sanitation.

Finish

All components receive a dual-action medium Scotch-Brite finish and all welds are passivated.

Shipping

UPS-Ground



Pricing

Model No.	Price / Ea. @ Qty:	
	1-3	4+
SSL-1012	\$140	\$135



Model No. SSL-1604 Pictured



Material

Formed 11 gauge / 304 stainless steel and Ø3/4" or Ø1" stainless steel solid round stock (no hollow or tubular components).

Construction

All contact points are TIG welded complete and the bench is fully assembled. Weight capacity = 1,250 lbs.

Finish

All components receive a dual-action medium Scotch-Brite finish and all welds are passivated.

Footing

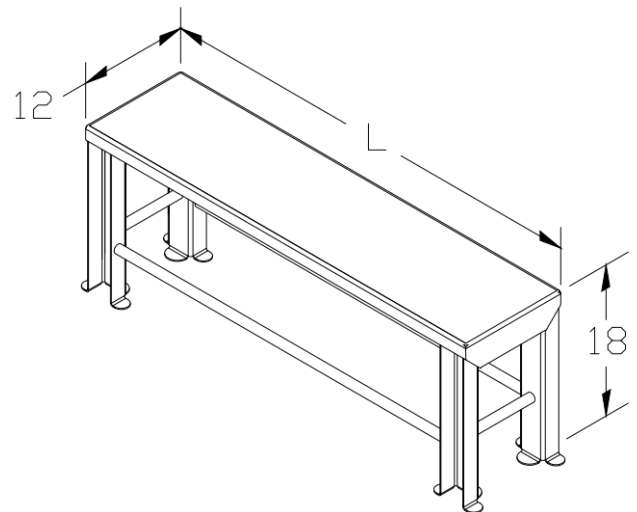
Standard benches have Paw Print Footing (pictured). Rubber non-skid pads or UHMW pads are available upon request.

Shipping

Benches ship fullts assembled UPS-Ground (SSL-1604) or LTL/FTL.

Dimensional Options & Pricing

Model No.	Price / Ea. @ Qty:	
	1-3	4+
SSL-1604 (30"L x 12"W x 18"H)	\$545	\$525
SSL-1515 (48"L x 12"W x 18"H)	\$780	\$755
SSL-1517 (60"L x 12"W x 18"H)	\$945	\$910
SSL-1518 (72"L x 12"W x 18"H)	\$1,065	\$1,030





Model No. SSL-1007



Model No. SSL-1293



Model No. SSL-1083

Material

Formed 11 gauge / 304 stainless steel and Ø3/4" stainless steel solid round stock (model no. SSL-1007 & SSL-1083) or rolled 7 gauge / 304 stainless steel (model no. SSL-1293) (*no hollow or tubular components*).

Construction

All contact points are TIG welded complete and the trash bag holders are fully assembled.

Finish

All components receive a dual-action medium Scotch-Brite finish and all welds are passivated.

Footing

Model no. SSL-1007 & SSL-1083 come standard with Paw Print Footing. UHMW Pads available upon request.

Shipping

All bag holders ship fully assembled LTL/FTL.

Pricing

Model No.	Price / Ea. @ Qty:	
	1-3	4+
SSL-1293 (Circular)	\$295	\$280
SSL-1007 (Straight Frame)	\$505	\$485
SSL-1083 (Angled Frame)	\$565	\$545

Phone: (800) 616-5319

Email: sales@cleanroomconnection.com

www.cleanroomsupplies.com



Seat

Rolled 11 gauge / 304 stainless steel.

Frame

Formed 7 & 11 gauge / 304 stainless steel (no hollow or tubular components).

Construction

All contact points are TIG welded complete and the stool is fully assembled. Weight capacity = 500 lbs.

Finish

All components receive a dual-action medium Scotch-Brite finish and all welds are passivated.

Footing

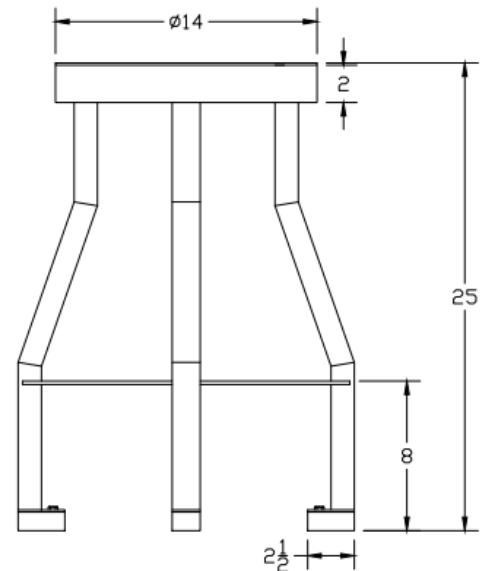
1" Thick UHMW Pads.

Shipping

All stools ship fully assembled LTL/FTL.

Pricing

Model No.	Price / Ea. @ Qty:	
	1-3	4+
SSL-1581	\$685	\$650





Material

Formed 11 gauge / 304 stainless steel and Ø1" stainless steel solid round stock (no hollow or tubular components).

Construction

All contact points are TIG welded complete and the chair is fully assembled. Weight capacity = 1,000 lbs.

Options

ADA Compliant version available upon request.

Finish

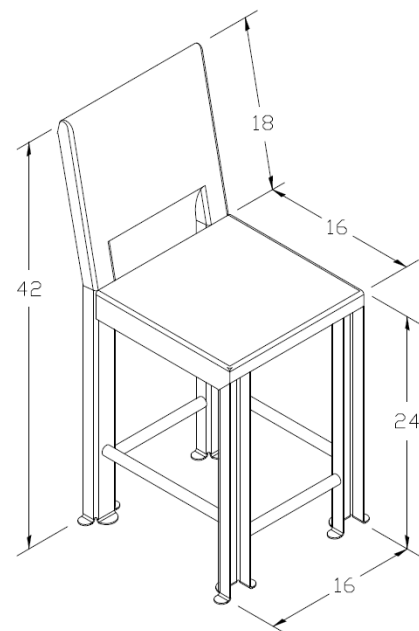
All components receive a dual-action medium Scotch-Brite finish and all welds are passivated.

Footing

Paw Print Footing (standard) or UHMW pads (available upon request).

Shipping

All chairs ship fully assembled LTL/FTL.



Pricing

Model No.	Price / Ea. @ Qty:	
	1-3	4+
SSL-1103 (Paw Print Footing)	\$1,040	\$945